

five



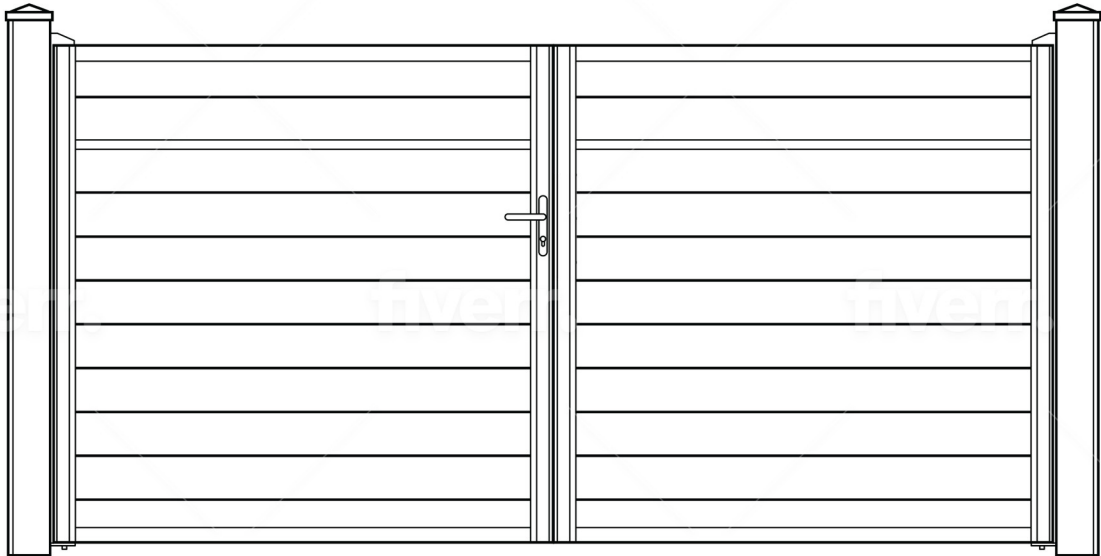
# PERIMTEC

Fencing Reimagined™

fiverr.

fiverr.

fiverr.



fiverr.

fiverr.

fiverr.

DOUBLE GATE - ASSEMBLY INSTRUCTIONS



fiverr.

fiverr.

fiverr.

# DOUBLE GATE ASSEMBLY INSTRUCTIONS

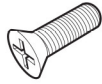
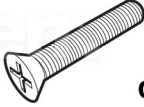
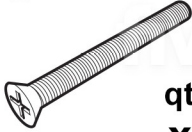
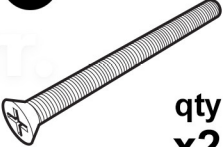




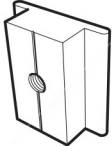
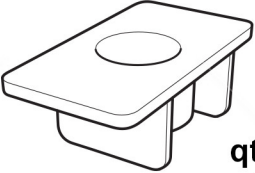


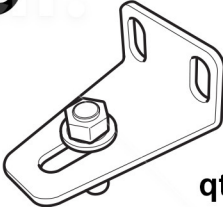
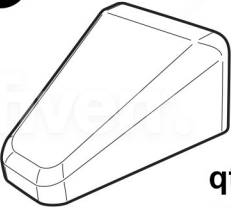
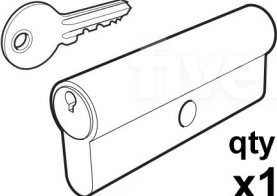

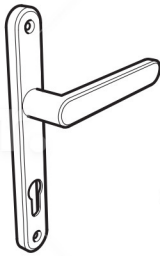
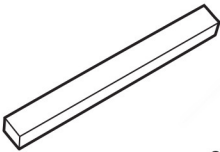
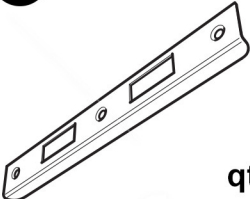
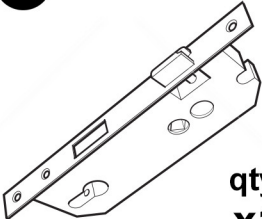
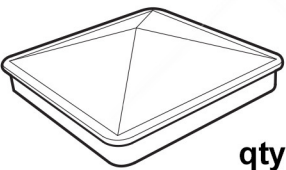
Please read these instructions thoroughly before beginning the assembly, and then complete the build process in the order shown .

## TOOLS REQUIRED

We would suggest will need the following to complete the build.

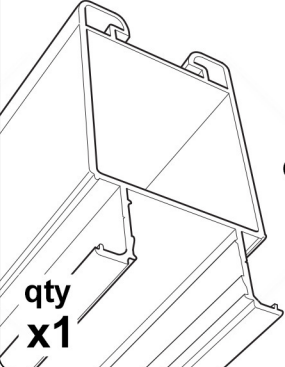
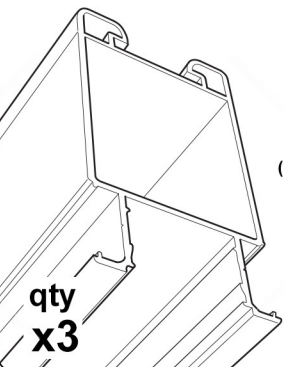
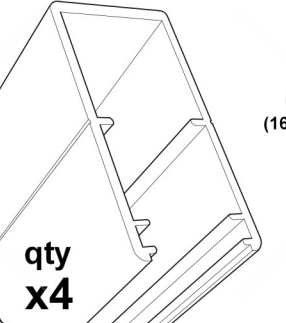
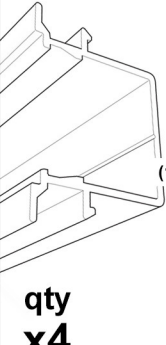
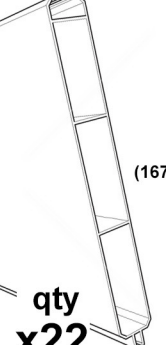
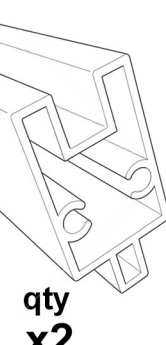
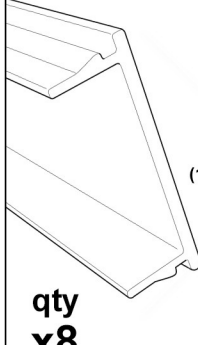
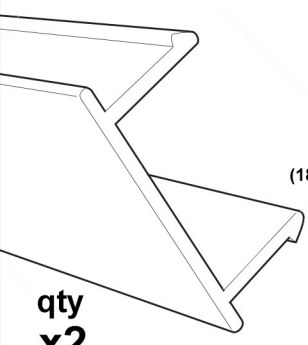
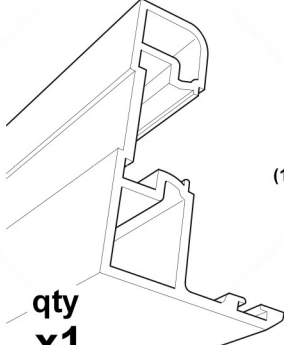
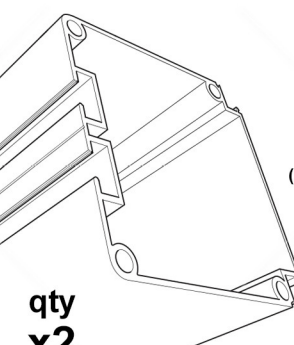
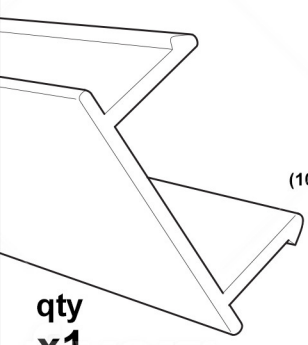
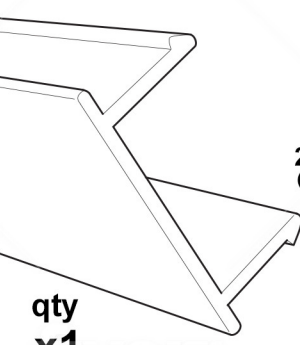
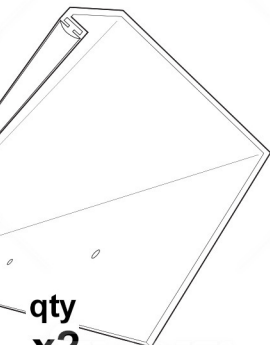
- Pencil
- Measuring tape
- Drop cloth
- Electric or cordless drill/driver
- Rubber mallet
- Spirit level
- Adjustable spanner/wrench
- Set square
- Aluminium cutting saw
- Safety glasses

## HARDWARE LIST - numbering key, quantity and details

<p>item details</p> <p>quantity provided</p>	<p><b>1</b> M5 12mm</p>  <p>qty x3</p>	<p><b>2</b> M5 25mm</p>  <p>qty x2</p>	<p><b>3</b> M5 45mm</p>  <p>qty x1</p>	<p><b>4</b> M5 60mm</p>  <p>qty x2</p>
<p><b>5</b> M4 16mm</p>  <p>qty x160</p>	<p><b>6</b> M5 25mm</p>  <p>qty x3</p>	<p><b>7</b> M8 25mm</p>  <p>qty x8</p>	<p><b>8</b> square nut</p>  <p>qty x8</p>	<p><b>9</b> stopper nut</p>  <p>qty x3</p>
<p><b>10</b> upright cover</p>  <p>qty x2</p>	<p><b>11</b> upright cover</p>  <p>qty x2</p>	<p><b>12</b> upright cover</p>  <p>qty x4</p>	<p><b>13</b> hinge</p>  <p>qty x4</p>	
<p><b>14</b> top hinge cover</p>  <p>qty x2</p>	<p><b>15</b> lock hub &amp; key</p>  <p>qty x1</p>	<p><b>16</b> outer handle</p>  <p>qty x1</p>	<p><b>17</b> inner handle</p>  <p>qty x1</p>	
<p><b>18</b> spindle</p>  <p>qty x1</p>	<p><b>19</b> strike plate</p>  <p>qty x1</p>	<p><b>20</b> lock case</p>  <p>qty x1</p>	<p><b>21</b> post cap</p>  <p>qty x2</p>	

# DOUBLE GATE ASSEMBLY INSTRUCTIONS

## ALUMINIUM PARTS LIST - naming key, quantity and dimensions

<p><b>A</b> gate upright (handle/lock side)</p>  <p>3.17" (80.5mm)</p> <p>72" (1830mm)</p> <p>qty x1</p>	<p><b>B</b> gate upright (hinge side)</p>  <p>3.17" (80.5mm)</p> <p>72" (1830mm)</p> <p>qty x3</p>	<p><b>C</b> gate top/base edges</p>  <p>2.17" (55mm)</p> <p>66.15" (1680.2mm)</p> <p>qty x4</p>	
<p><b>D</b> panel inserts</p>  <p>0.78" (19.8mm)</p> <p>67.5" (1715.7mm)</p> <p>qty x4</p>	<p><b>E</b> panels</p>  <p>6.22" (158mm)</p> <p>66.1" (1678.2mm)</p> <p>qty x22</p>	<p><b>F</b> panel inlay</p>  <p>1.5" (38.11mm)</p> <p>66.1" (1678.2mm)</p> <p>qty x2</p>	<p><b>G</b> gate face covers</p>  <p>0.77" (19.4mm)</p> <p>72" (1830mm)</p> <p>qty x8</p>
<p><b>H</b> gate end cover (long)</p>  <p>0.79" (20mm)</p> <p>72" (1830mm)</p> <p>qty x2</p>	<p><b>J</b> gate stopper</p>  <p>2.17" (55mm)</p> <p>66.15" (1680.2mm)</p> <p>qty x1</p>	<p><b>K</b> gate post</p>  <p>5.91" (150mm)</p> <p>118" (3000mm)</p> <p>qty x2</p>	
<p><b>L</b> gate end cover (mid-length)</p>  <p>0.79" (20mm)</p> <p>40.9" (1038mm)</p> <p>qty x1</p>	<p><b>M</b> gate end cover (short)</p>  <p>0.79" (20mm)</p> <p>22.52" (572mm)</p> <p>qty x1</p>	<p><b>N</b> gap closer</p>  <p>3.7" (94mm)</p> <p>72" (1830mm)</p> <p>qty x2</p>	

# DOUBLE GATE ASSEMBLY INSTRUCTIONS



## STEP ONE - fitting top and bottom upright covers to B

Install the end cover [part 11] into the top of the hinge-side upright [part B] and secure it in position with two of the self-tapping screws [parts 5]

Install the end cover [part 11] into the top of the hinge-side upright [part B] and secure it in position with two of the self-tapping screws [parts 5]

## STEP TWO - mounting the base edge C at right angles

Insert the base edge [part C] at the bottom end of the channel in [part B], this may be a tight fit, so you may need to drive it home with a rubber mallet.

You must then use a 'set square' to be sure of a 90° corner.

While ensuring the base edge [part C] is still at right angles to the upright [part B], secure it in position with two self tapping screws [parts 5] from the front and two from the back.

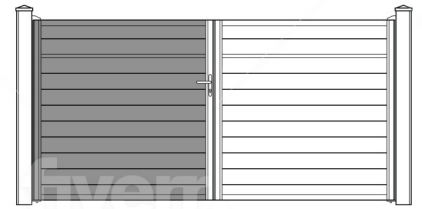


## STEP THREE - preparing the upright for panel fitting

Place a panel insert [part D] into the channel in [part B], on top of the recently fitted base edge [part C].

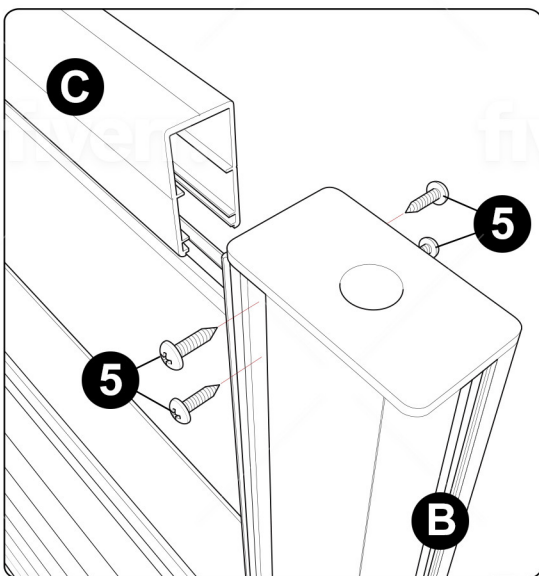
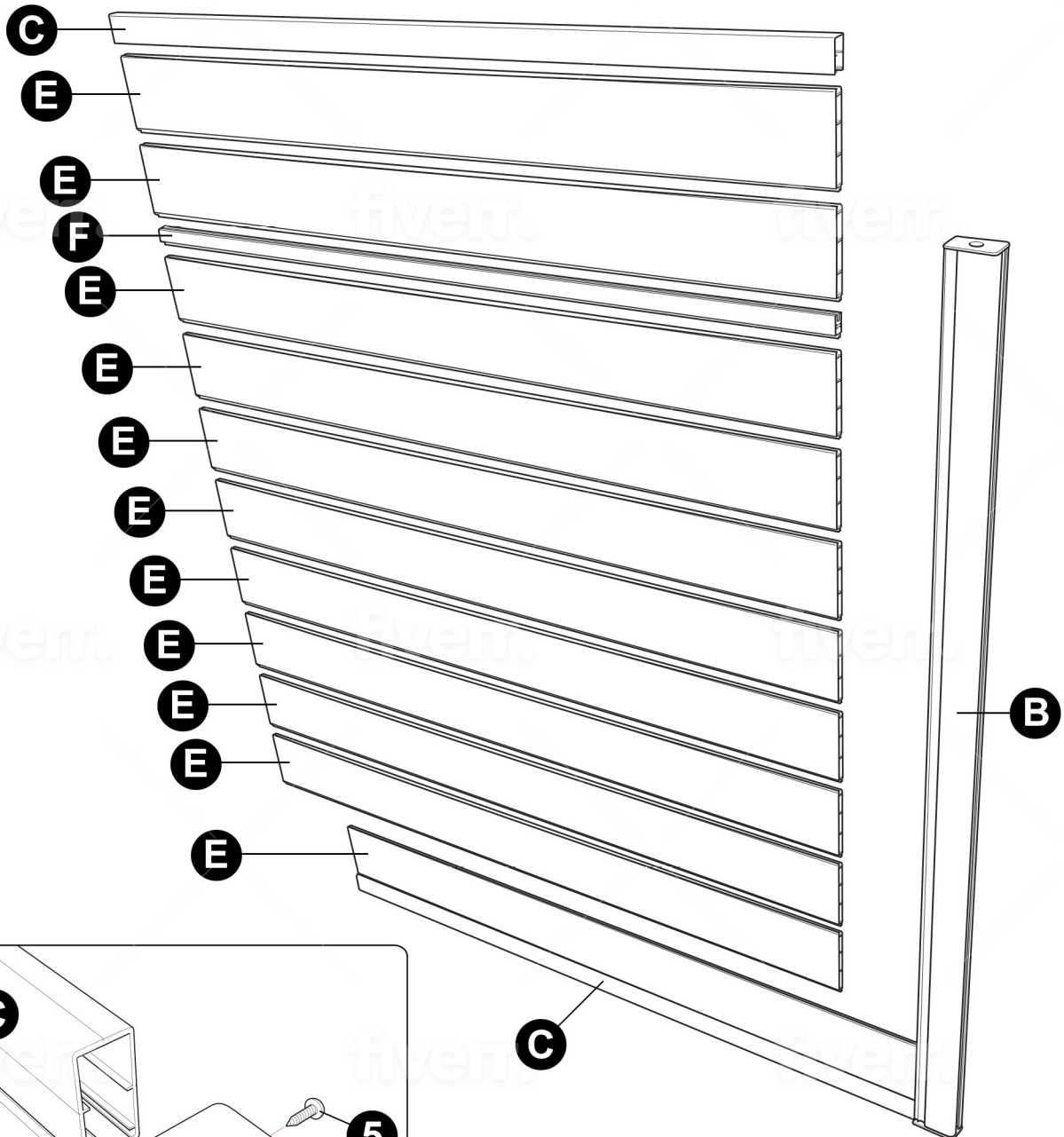
## STEP FOUR - adding the first gate panel

Place the first gate panel [part E] within the groove in the upper edge of the base edge [part C] and slide along until it enters into the slot in the recently fitted panel insert within the upright [part B], then drive it home with a rubber mallet.

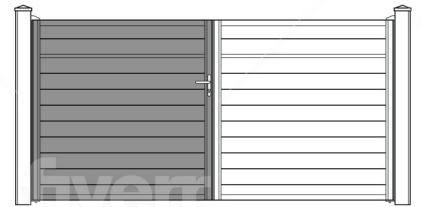


## STEP FIVE - adding the rest of the gate panels

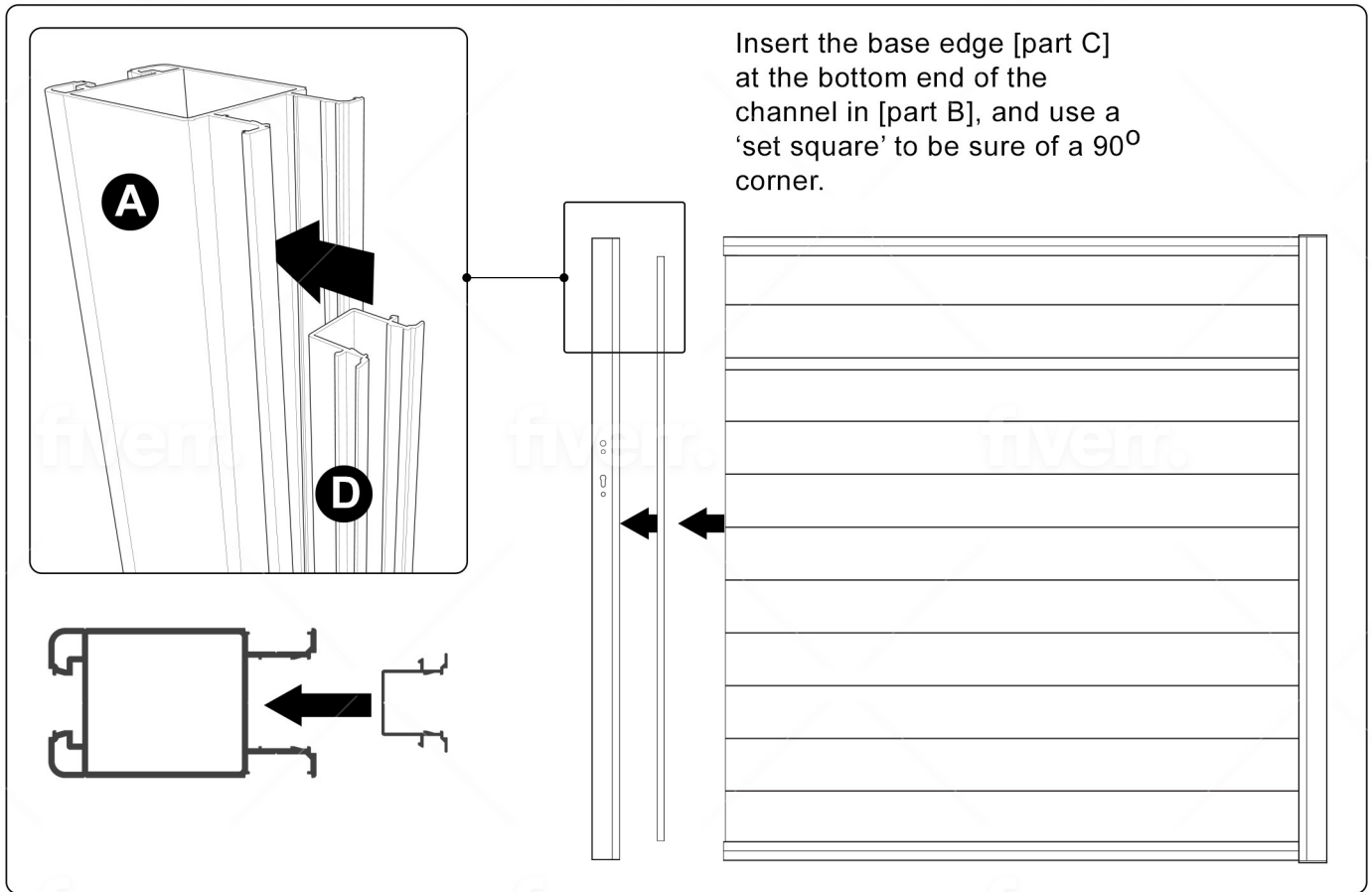
Using the same method as shown in step four, continue to introduce the rest of the panels, in the order shown here, until you get to the top edge [part C], when this is in position, secure as shown in the detailed image below.



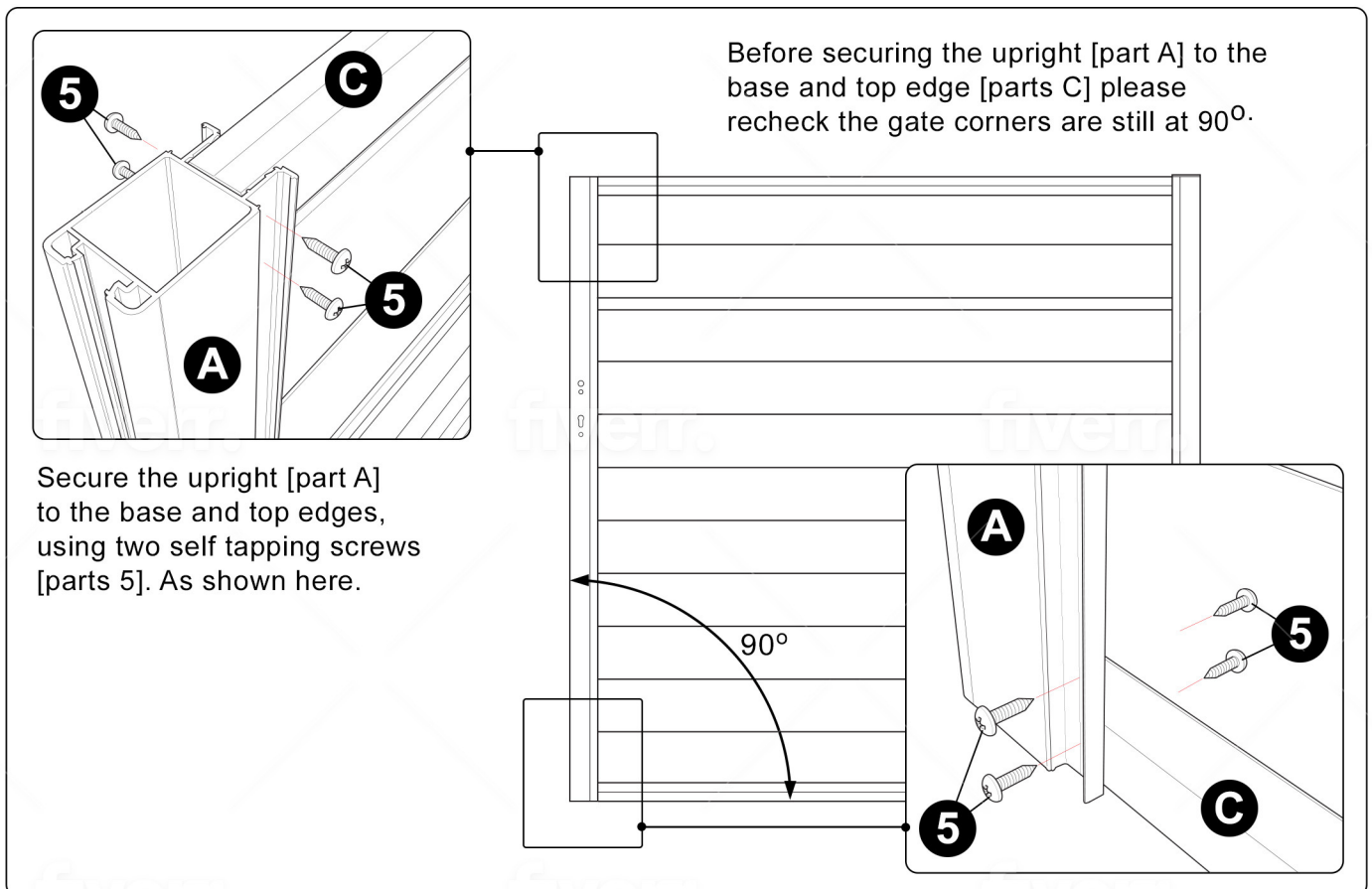
When the top edge [part C] is driven into its final position, secure it in place at the top of the hinge-side upright [part B] with four self-tapping screws [parts 5]. Using two from the front and two to the back, into the channel of the upright [part B].

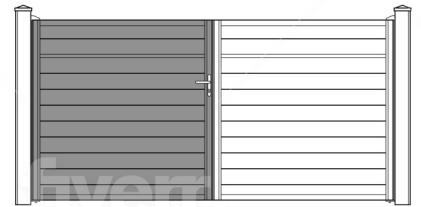


## STEP SIX - preparing to fit A to the rest of the gate



## STEP SEVEN - securing A to the rest of the gate



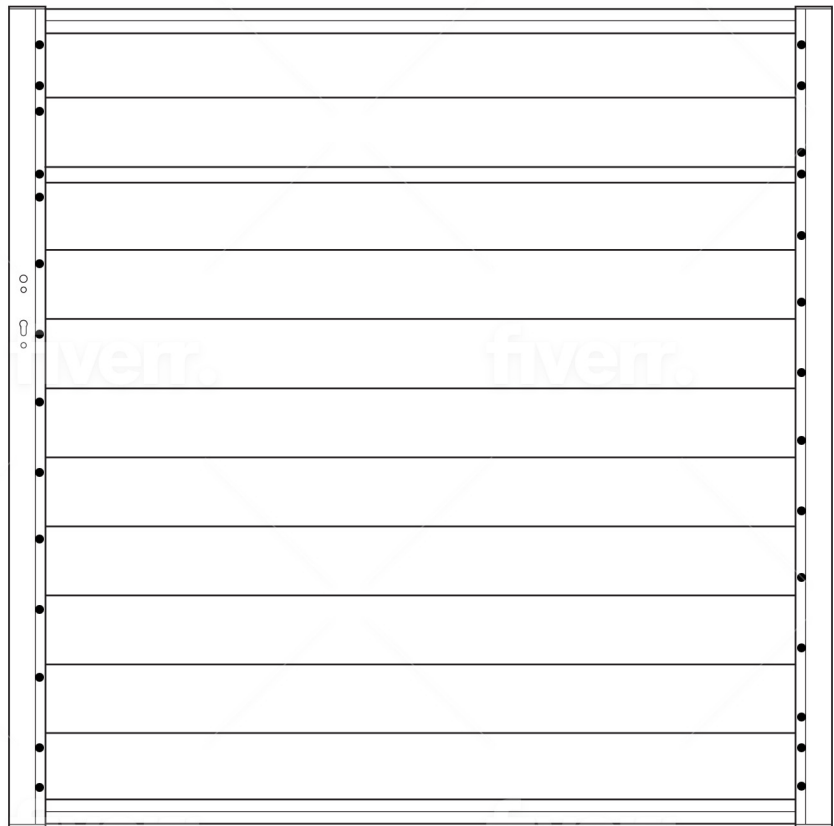


## STEP EIGHT - securing every panel

Using the self-tapping screws [parts 5] secure each of the panels, from both sides, in the configuration show here.

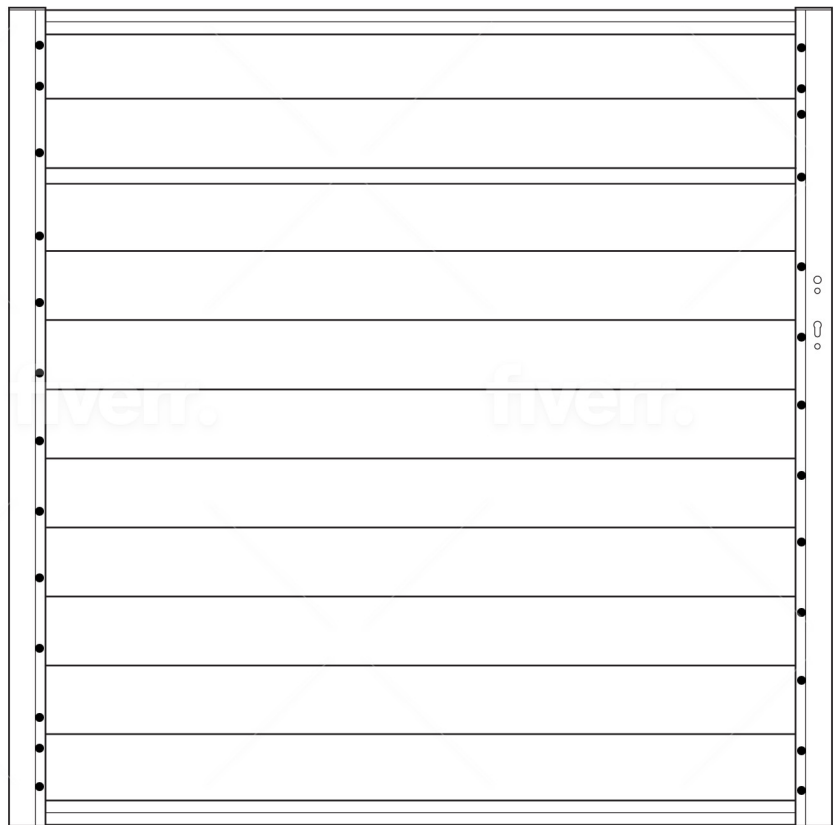
28 x **5**

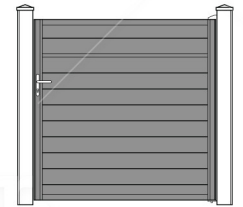
### FRONT SIDE



### REAR SIDE

26 x **5**





## STEP NINE - fitting top and bottom upright covers to A

Install the end covers [part 12] into the top and bottom of the handle/lock side upright [part A] and secure them in position with self-tapping screws [parts 5]

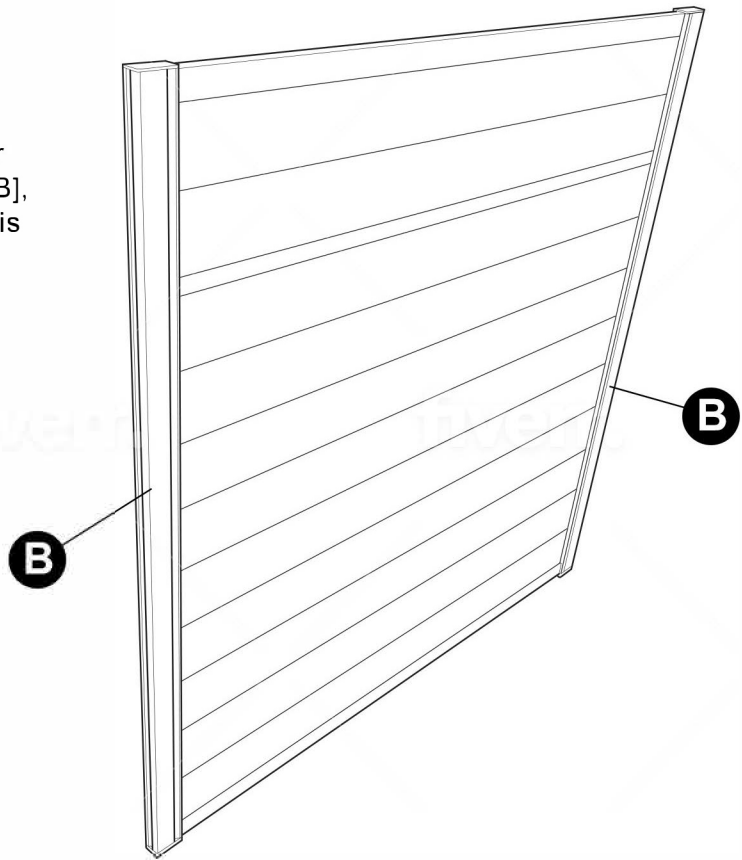
## STEP TEN - fitting channel covers to A and B

Tap the channel covers into place on both uprights [parts A and B]. Note that at the hinge upright [part B] all three covers are the full height of the upright. However at the handle/lock upright [part A] one of the covers is split in two [parts M and L] to allow access for the lock fitting.

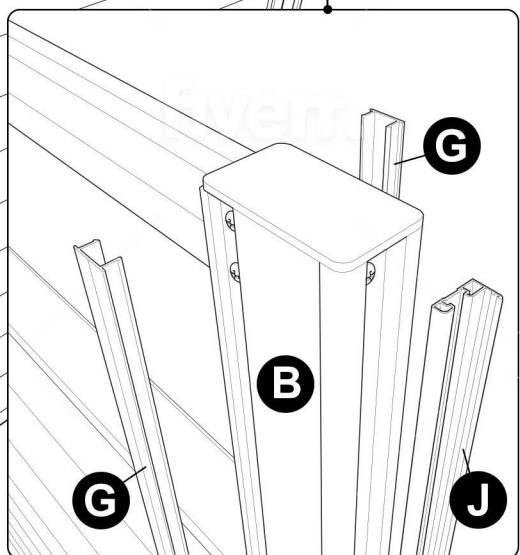
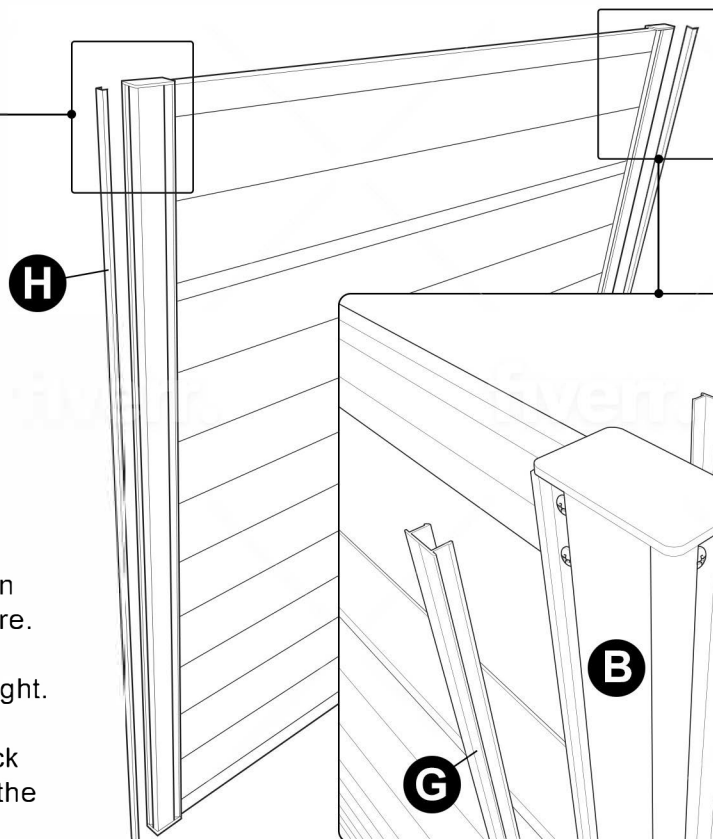
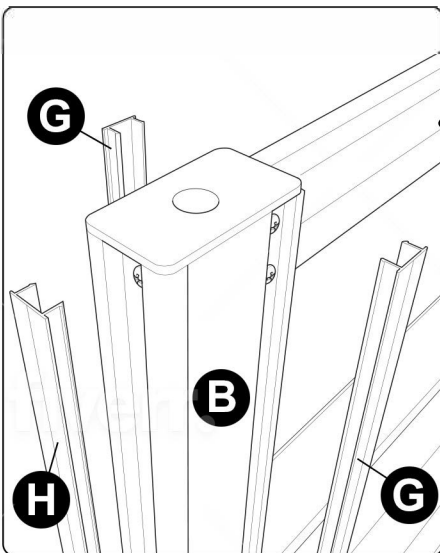


## STEP ELEVEN - repeat stages one to nine for gate2

Repeat the stages one to nine of this manual to create a second gate,  
Please note: This second gate however will use two of the same upright [parts B],  
as there is no lock or handle fitted to this second fence panel.

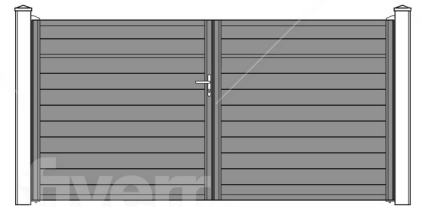


## STEP TWELVE - fitting channel covers to the second gate



Tap the channel covers into place on both uprights [parts B] as shown here. the hinge upright [part B] all three covers are the full height of the upright.

However at the side where it will lock with to other gate you will be fixing the gate stop [part J] at step 13



## STEP THIRTEEN - attaching the gate stopper

Attach the gate stopper [part J] to the upright [part B] using the 3 self-tapping m5 hex-bolt screws [parts 6] top, middle and bottom of its length.

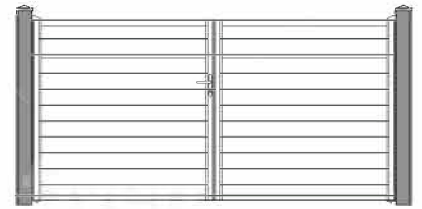
Make certain that the gate-stopping edge is positioned on the correct side for the swing of your gate.

## STEP FOURTEEN - first fit of the strike plate

With the gate stopper [part J] now fixed in position to the non-handled gate, slide the 3 stopper nuts [parts 9] into the channel in the stopper [part J], loosely securing the strike plate to them with the 12mm m5 machine screws [parts 1].

While still loose, slide the strike plate assembly down the rail in part J until you find the approximate location for the latch and lock mechanism of the other gate to engage with the holes in the strike plate, Loosely secure the screws, for final adjustment and tightening once both gates are hung from the fixed posts (parts K).

# DOUBLE GATE ASSEMBLY INSTRUCTIONS



## STEP FIFTEEN - preparing the posts

Set both posts [parts K] in concrete footings, these should be made 40" (1016mm) deep and at least 14" (356mm) in diameter.

The grooves in both posts [parts K] should be positioned facing the gate aperture.

Use a spirit level to ensure that the posts are absolutely vertical.

min 144 1/2" - Opening  
Min. Total Clearance is 2-1/2"

Although these measurements also have tolerances allowing for adjustments, the minimum measurements are recommended. Minimum total clearance is 2-1/2"

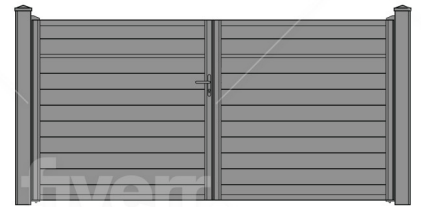
## STEP SIXTEEN - hanging the gates

With the posts [K] set, carefully add two of the square nuts [parts 8] into the post [K] channels and slide them to the base where they can be utilised by the bolt and washer set [parts 7] and tightened to hold the lower hinge in place.

Hang the gate on the hinge spigot, ready for the upper hinge.

With the gate in place, carefully add other two square nuts [parts 8] into the post [K] channels and fit the upper hinge to them using the bolt and washer set [parts 7] lower the hinge spigot into the top of the gate upright and tighten.

Complete this process with both gates



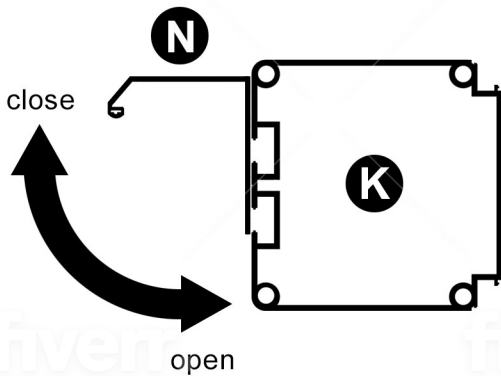
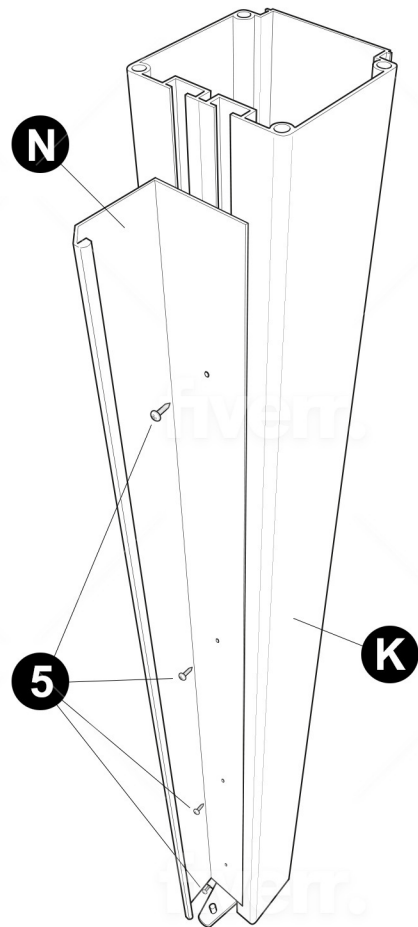
## STEP SEVENTEEN - fitting the gap-closers

Follow this procedure at both of the posts [parts K].

Once the gates have been mounted on the hinges, and adjusted and checked for level, the top hinges are removed in order to mount the gap-closer [parts N].

This parts fit between the hinges, and are attached to the posts [parts K] with four M4 16mm screws [parts 5] through pre-drilled holes.

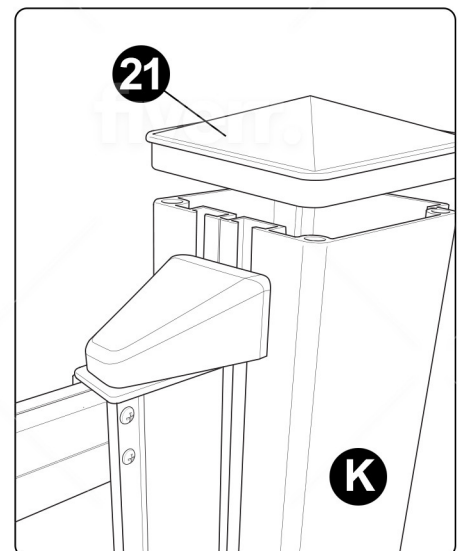
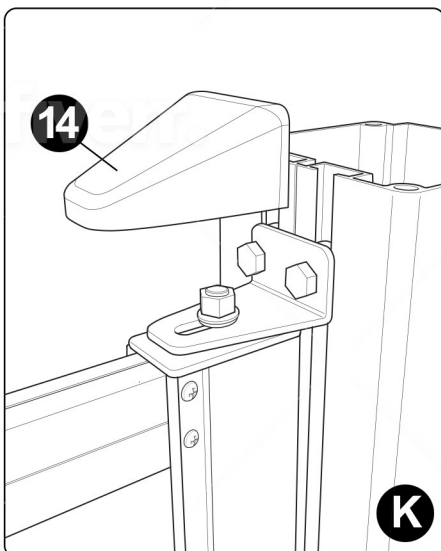
Then relocate the gates on the lower hinges, and hold in place while remounting the top hinge assemblies.

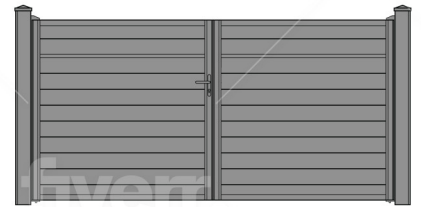


## STEP EIGHTEEN - fitting the hinge and post caps

When all the hinges [parts 13] are fitted and tightened, and the gates are able to swing freely, fit the top hinge covers [parts 14] into place.

With no more access required within the channels of the posts [parts K], the post caps [parts 21] can now be fitted.





## STEP NINETEEN - fitting the lock and handles

Install the lock assembly within the gate upright [part A] in the following order.

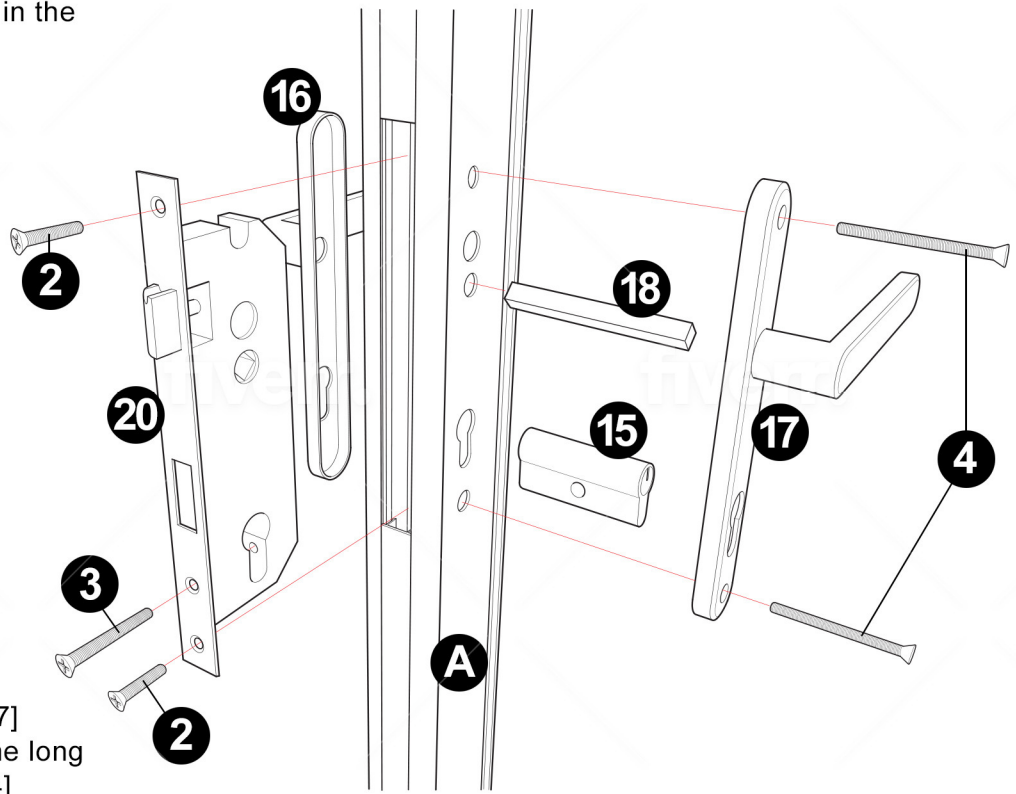
Slide the lock case [20] into the gate upright.

Secure it in position with the two machine screws [2]

Slide the lock hub [15] and spindle [18] into the upright to pass through the lock case in situ.

Fit machine screw [3] which will secure the lock hub.

Finally, mount both handles [parts 16 and 17] onto the upright using the long machine screws [parts 4]



## STEP TWENTY - final adjustment

Make any final adjustments to the strike plate height [part 19], and tighten its retaining screws now that you can confirm the latch and lock positions of the closed gates.

Mount the drop bolts to the central uprights, on the inside of the mounted gates.