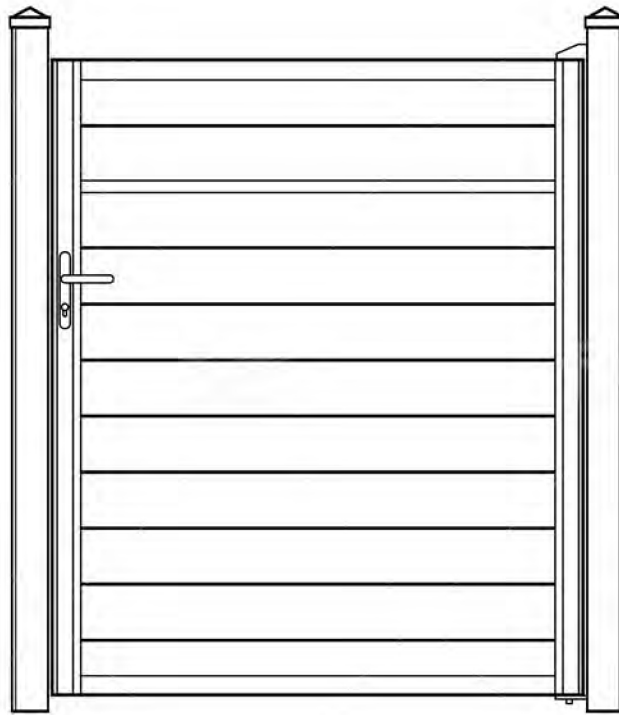


# PERIMTEC

Fencing Reimagined™



SINGLE GATE (100MM POSTS)  
ASSEMBLY INSTRUCTIONS



# SINGLE GATE (100mm POSTS) ASSEMBLY INSTRUCTIONS



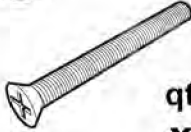
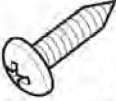






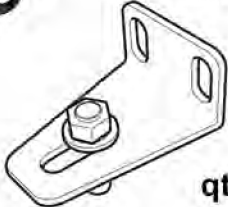
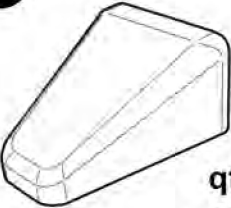
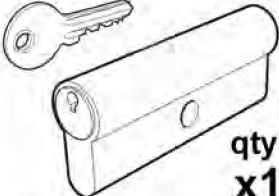

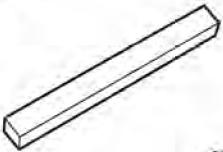
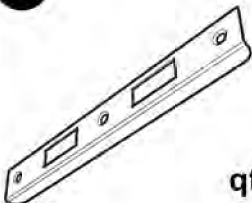
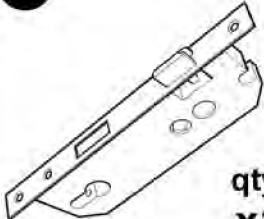
Please read these instructions thoroughly before beginning the assembly, and then complete the build process in the order shown .

## TOOLS REQUIRED

We would suggest will need the following to complete the build.

- Pencil
- Measuring tape
- Drop cloth
- Electric or cordless drill/driver
- Rubber mallet
- Spirit level
- Adjustable spanner/wrench
- Set square
- Aluminium cutting saw
- Safety glasses

## HARDWARE LIST - numbering key, quantity and details

<p>item details</p> <p>quantity provided</p>	<p><b>1</b> M5 12mm</p>  <p>qty x3</p>	<p><b>2</b> M5 25mm</p>  <p>qty x2</p>	<p><b>3</b> M5 45mm</p>  <p>qty x1</p>	<p><b>4</b> M5 60mm</p>  <p>qty x2</p>
<p><b>5</b> M4 16mm</p>  <p>qty x80</p>	<p><b>6</b> M5 25mm</p>  <p>qty x3</p>	<p><b>7</b> M8 25mm</p>  <p>qty x4</p>	<p><b>8</b> square nut</p>  <p>qty x4</p>	<p><b>9</b> stopper nut</p>  <p>qty x3</p>
<p><b>10</b> upright cover</p>  <p>qty x1</p>	<p><b>11</b> upright cover</p>  <p>qty x1</p>	<p><b>12</b> upright cover</p>  <p>qty x2</p>	<p><b>13</b> hinge</p>  <p>qty x2</p>	
<p><b>14</b> top hinge cover</p>  <p>qty x1</p>	<p><b>15</b> lock hub &amp; key</p>  <p>qty x1</p>	<p><b>16</b> outer handle</p>  <p>qty x1</p>	<p><b>17</b> inner handle</p>  <p>qty x1</p>	
<p><b>18</b> spindle</p>  <p>qty x1</p>	<p><b>19</b> strike plate</p>  <p>qty x1</p>	<p><b>20</b> lock case</p>  <p>qty x1</p>	<p><b>21</b> post cap</p>  <p>qty x2</p>	

# SINGLE GATE (100mm POSTS) ASSEMBLY INSTRUCTIONS

## ALUMINIUM PARTS LIST - naming key, quantity and dimensions

<p><b>A</b> gate upright (handle/lock side)</p> <p>3.17" (80.5mm)</p> <p>72" (1830mm)</p> <p>qty x1</p>	<p><b>B</b> gate upright (hinge side)</p> <p>3.17" (80.5mm)</p> <p>72" (1830mm)</p> <p>qty x1</p>	<p><b>C</b> gate top/base edges</p> <p>2.17" (55mm)</p> <p>66.15" (1680.2mm)</p> <p>qty x2</p>	
<p><b>D</b> panel inserts</p> <p>0.78" (19.8mm)</p> <p>67.5" (1715.7mm)</p> <p>qty x2</p>	<p><b>E</b> panels</p> <p>6.22" (158mm)</p> <p>66.1" (1678.2mm)</p> <p>qty x11</p>	<p><b>F</b> panel inlay</p> <p>1.5" (38.11mm)</p> <p>66.1" (1678.2mm)</p> <p>qty x1</p>	<p><b>G</b> gate face covers</p> <p>0.77" (19.4mm)</p> <p>72" (1830mm)</p> <p>qty x4</p>
<p><b>H</b> gate end cover (long)</p> <p>0.79" (20mm)</p> <p>72" (1830mm)</p> <p>qty x1</p>	<p><b>J</b> gate stopper</p> <p>2.17" (55mm)</p> <p>66.15" (1680.2mm)</p> <p>qty x1</p>	<p><b>K</b> gate post</p> <p>4" (100mm)</p> <p>118" (3000mm)</p> <p>qty x2</p>	
<p><b>L</b> gate end cover (mid-length)</p> <p>0.79" (20mm)</p> <p>40.9" (1038mm)</p> <p>qty x1</p>	<p><b>M</b> gate end cover (short)</p> <p>0.79" (20mm)</p> <p>22.52" (572mm)</p> <p>qty x1</p>	<p><b>N</b> gap closer</p> <p>3.7" (94mm)</p> <p>72" (1830mm)</p> <p>qty x1</p>	



**STEP ONE** - fitting top and bottom upright covers to B

Install the end cover [part 11] into the top of the hinge-side upright [part B] and secure it in position with two of the self-tapping screws [parts 5]

Install the end cover [part 11] into the top of the hinge-side upright [part B] and secure it in position with two of the self-tapping screws [parts 5]

Install the end cover [part 11] into the top of the hinge-side upright [part B] and secure it in position with two of the self-tapping screws [parts 5]

**STEP TWO** - mounting the base edge C at right angles

Insert the base edge [part C] at the bottom end of the channel in [part B], this may be a tight fit, so you may need to drive it home with a rubber mallet.

You must then use a 'set square' to be sure of a 90° corner.

While ensuring the base edge [part C] is still at right angles to the upright [part B], secure it in position with two self tapping screws [parts 5] from the front and two from the back.



**STEP THREE** - preparing the upright for panel fitting

Place a panel insert [part D] into the channel in [part B], on top of the recently fitted base edge [part C].

The diagram illustrates the process of fitting a panel insert. On the left, a perspective view shows a base edge (C) being attached to an upright (B). A panel insert (D) is shown being inserted into the channel of the upright. A thick black arrow points from the insert towards the channel. On the right, a cross-sectional view shows the insert (D) being pushed into the channel of the upright (B). A thick black arrow indicates the direction of insertion. An inset diagram shows a close-up of the insert (D) being driven into the channel of the upright (B) using a tool.

**STEP FOUR** - adding the first gate panel

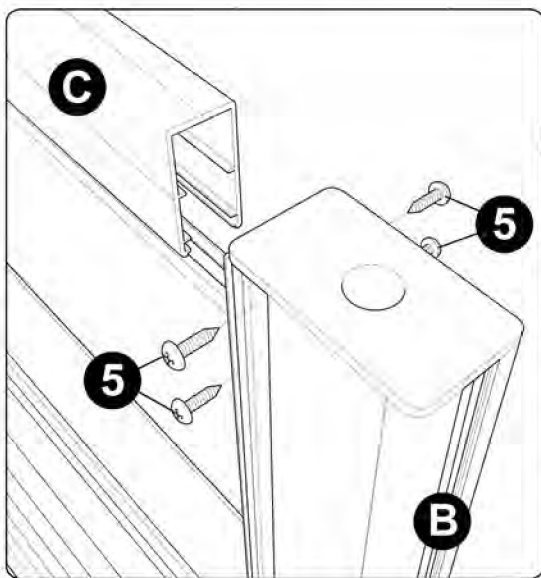
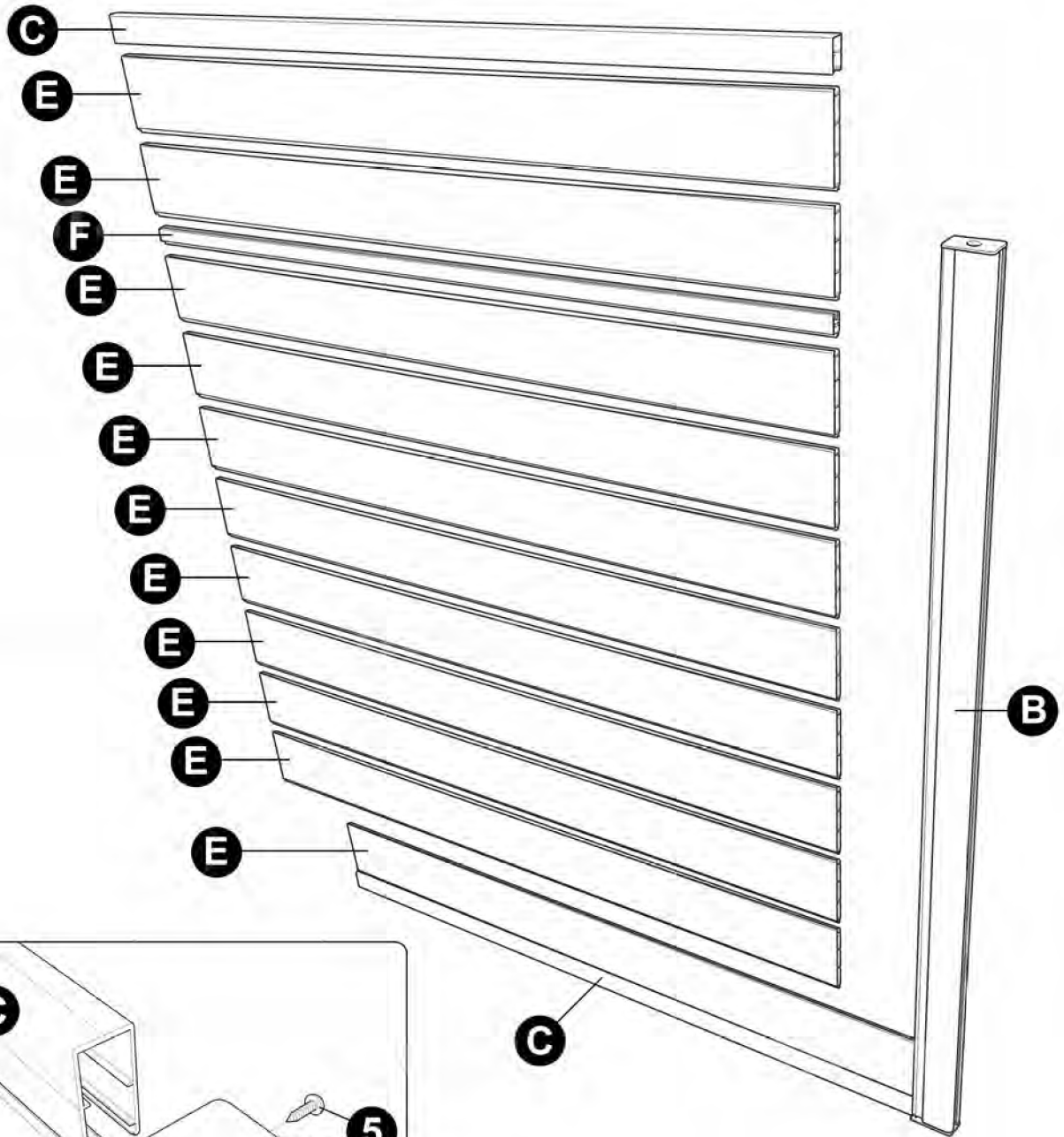
Place the first gate panel [part E] within the groove in the upper edge of the base edge [part C] and slide along until it enters into the slot in the recently fitted panel insert within the upright [part B], then drive it home with a rubber mallet.

The diagram illustrates the process of adding the first gate panel. On the left, a perspective view shows the base edge (C) and upright (B) assembly. A gate panel (E) is shown being inserted into the groove of the base edge (C) and sliding into the slot of the panel insert (D) within the upright (B). A thick black arrow points from the panel towards the upright. On the right, a cross-sectional view shows the gate panel (E) being inserted into the upright (B) and resting on the base edge (C). A thick black arrow indicates the direction of insertion. An inset diagram shows a close-up of the gate panel (E) being driven into the upright (B) using a rubber mallet.



**STEP FIVE - adding the rest of the gate panels**

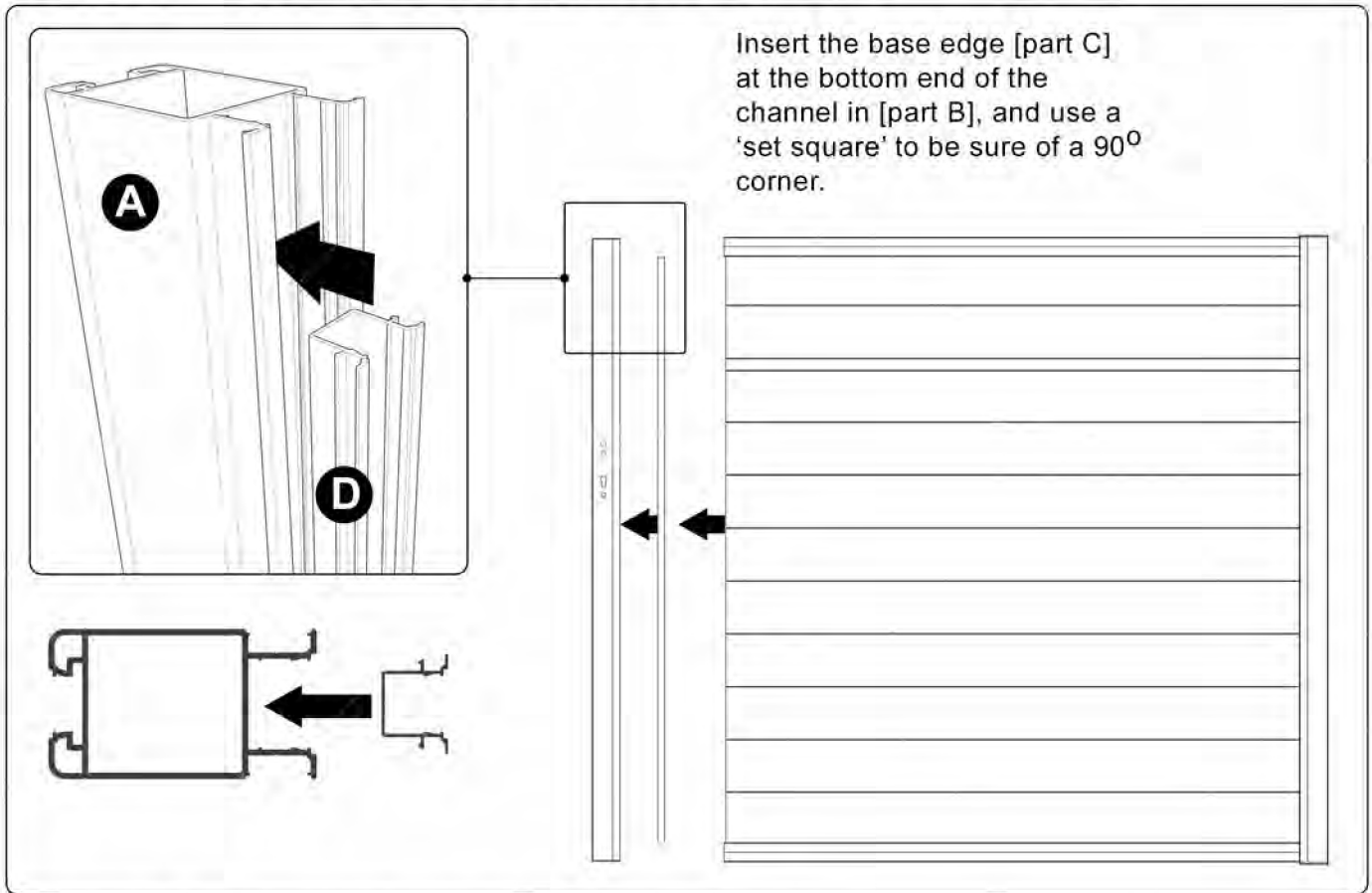
Using the same method as shown in step four, continue to introduce the rest of the panels, in the order shown here, until you get to the top edge [part C], when this is in position, secure as shown in the detailed image below.



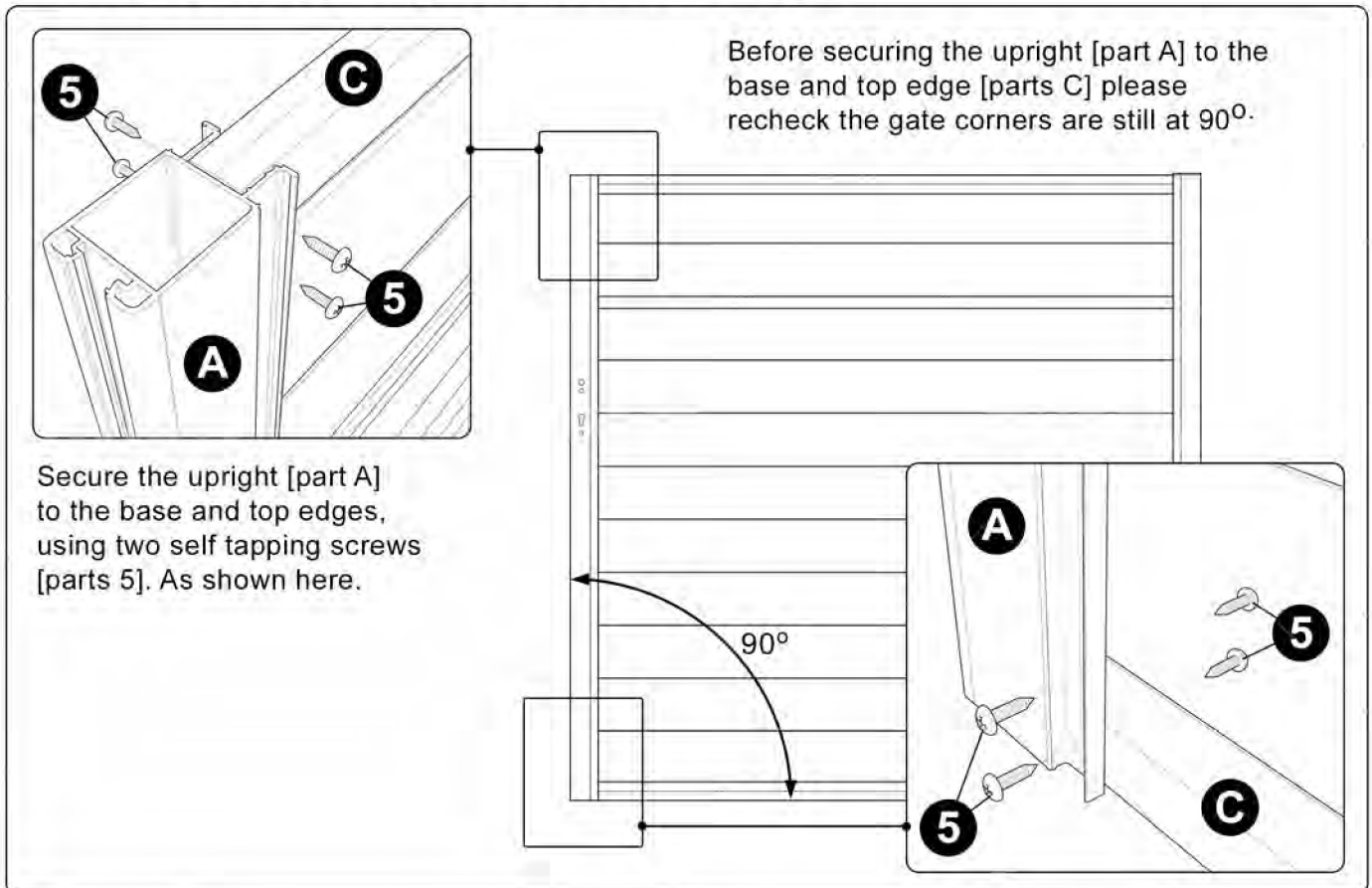
When the top edge [part C] is driven into its final position, secure it in place at the top of the hinge-side upright [part B] with four self-tapping screws [parts 5]. Using two from the front and two to the back, into the channel of the upright [part B].



**STEP SIX** - preparing to fit A to the rest of the gate



**STEP SEVEN** - securing A to the rest of the gate

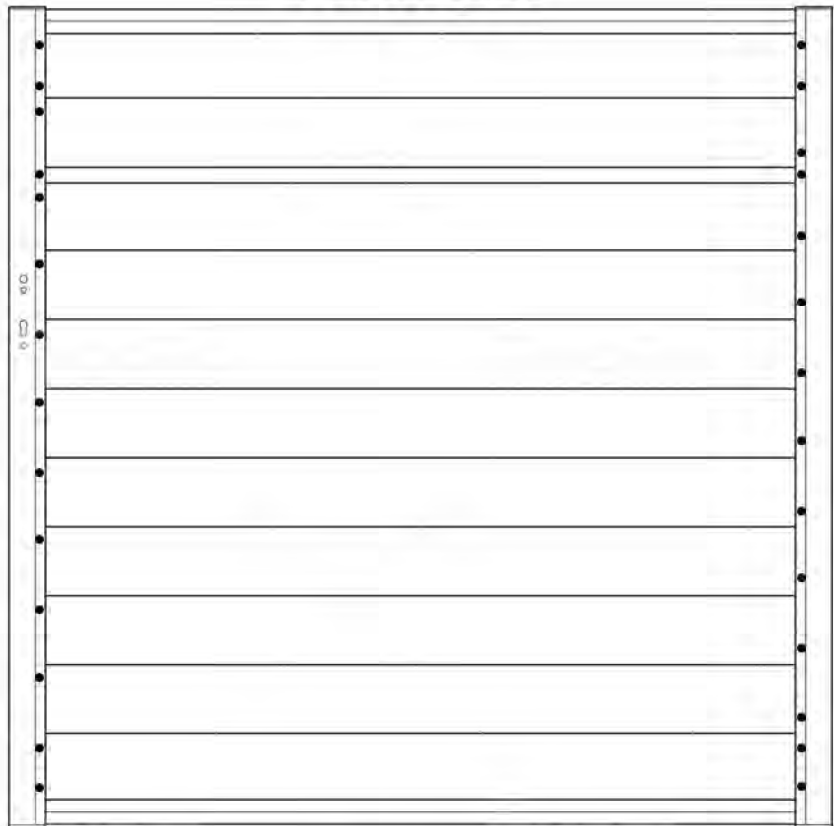




## STEP EIGHT - securing every panel

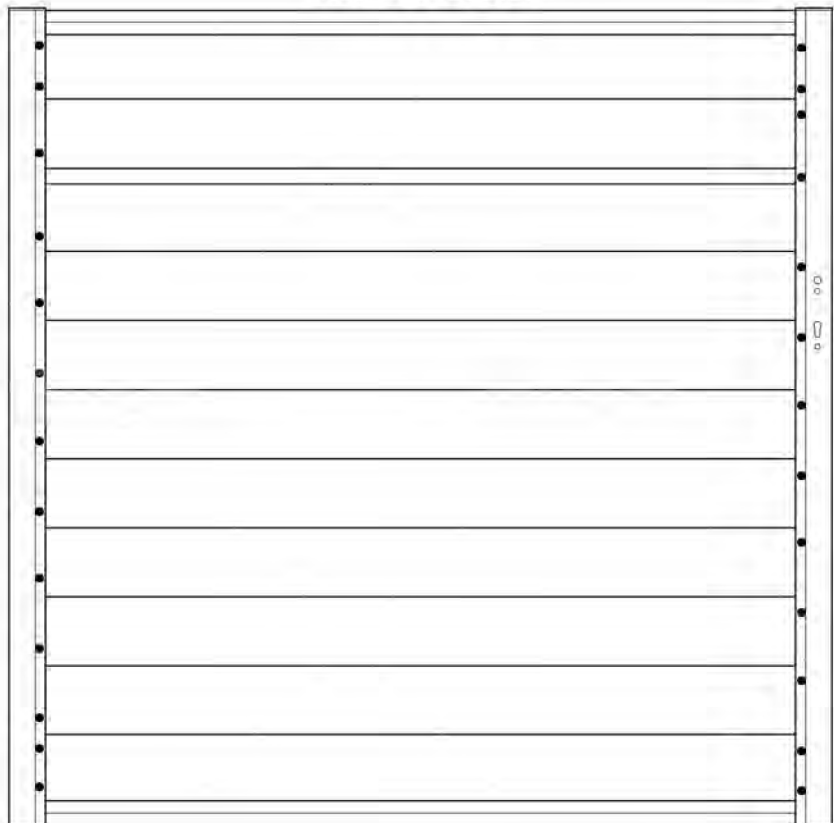
Using the self-tapping screws [parts 5] secure each of the panels, from both sides, in the configuration show here.

28 x **5**



REAR SIDE

26 x **5**





**STEP NINE** - fitting top and bottom upright covers to A

Install the end covers [part 12] into the top and bottom of the handle/lock side upright [part A] and secure them in position with self-tapping screws [parts 5]

**STEP TEN** - fitting channel covers to A and B

Tap the channel covers into place on both uprights [parts A and B]. Note that at the hinge upright [part B] all three covers are the full height of the upright. However at the handle/lock upright [part A] one of the covers is split in two [parts M and L] to allow access for the lock fitting.



## STEP ELEVEN - preparing the posts

Set both posts [parts K] in concrete footings, these should be made 40" (1016mm) deep and at least 14" (356mm) in diameter.

The grooves in both posts [parts K] should be positioned facing the gate aperture.

Use a spirit level to ensure that the posts are absolutely vertical.

These measurements show the tolerance allowed with adjustment. However, the **minimum** measurements are recommended.

**min 1"**  
min 26 mm - max 29 mm

**min 3/4"**  
min 20 mm - max 25 mm

40" (1016mm)

14" (356mm)

Concrete footing

49"- Opening  
min 1246 mm - max 1254 mm  
Min. Clearance is 1-3/4"

## STEP TWELVE - hanging the gate

With the post [K] set, carefully add two of the square nuts [parts 8] into the post [K] channels and slide them to the base where they can be utilised by the bolt and washer set [parts 7] and tightened to hold the lower hinge in place.

Hang the gate on the hinge spigot, ready for the upper hinge.

With the gate in place, carefully add other two square nuts [parts 8] into the post [K] channels and fit the upper hinge to them using the bolt and washer set [parts 7] lower the hinge spigot into the top of the gate upright and tighten.

13

8

7

K

13

8

7

K

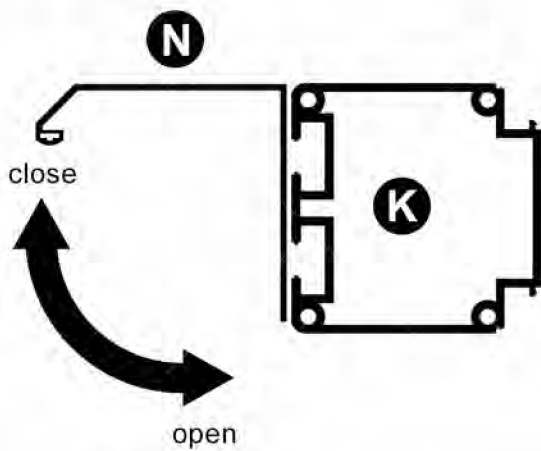
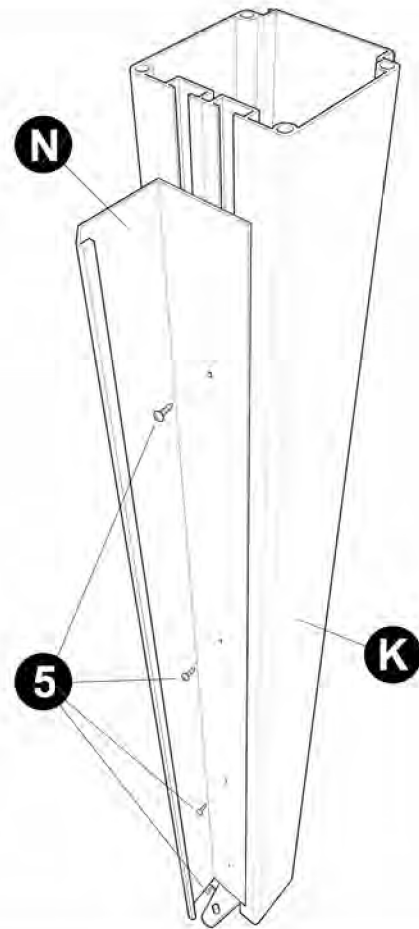


## STEP THIRTEEN - fitting the gap-closer

Once the gate has been mounted on the hinges, and adjusted and checked for level, the top hinge is removed in order to mount the gap-closer [part N].

This part fits between the hinges, and is attached to the post [part K] with four M4 16mm screws [parts 5] through pre-drilled holes.

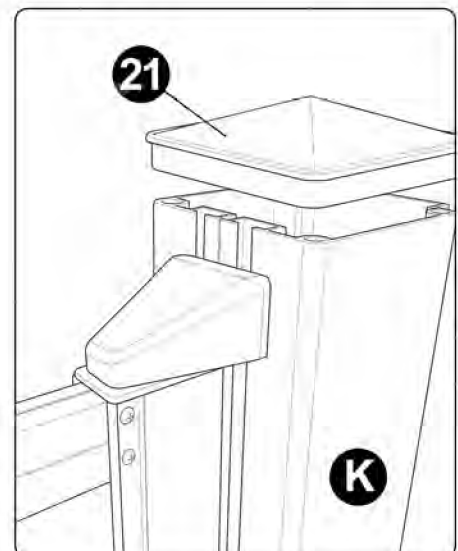
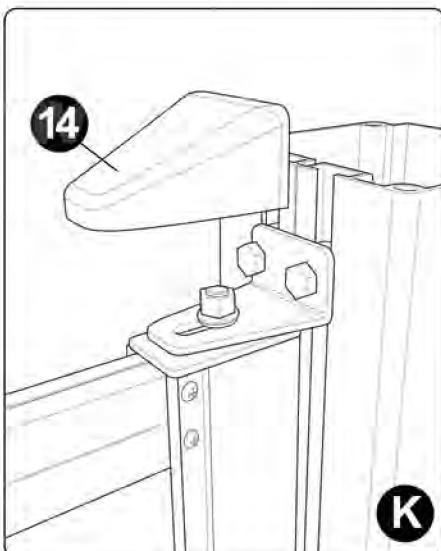
Then relocate the gate on the lower hinge, and hold in place while remounting the top hinge assembly.



## STEP FOURTEEN - fitting the hinge and post caps

When both the hinges [parts 13] are fitted and tightened, and the gate is able to swing freely, fit the top hinge cover [part 14] into place.

With no more access required within the channels of the hinge-side post [part K], the post cap [part 21] can now be fitted.





**STEP FIFTEEN - fitting the lock and handles**

Install the lock assembly within the gate upright [part A] in the following order.

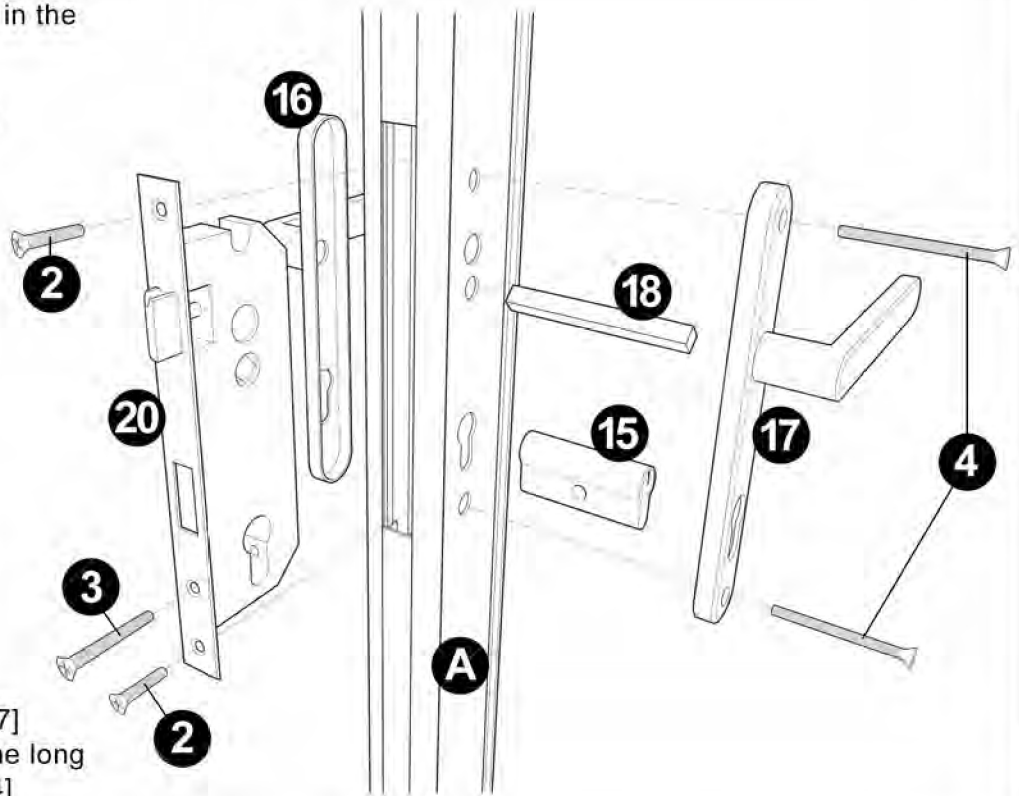
Slide the lock case [20] into the gate upright.

Secure it in position with the two machine screws [2]

Slide the lock hub [15] and spindle [18] into the upright to pass through the lock case in situ.

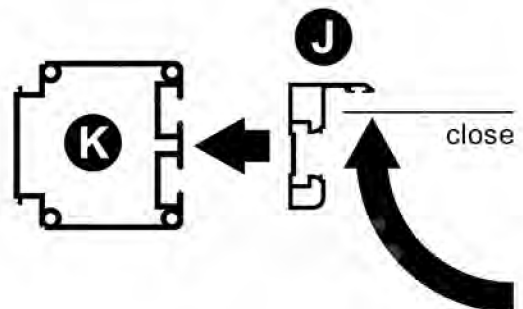
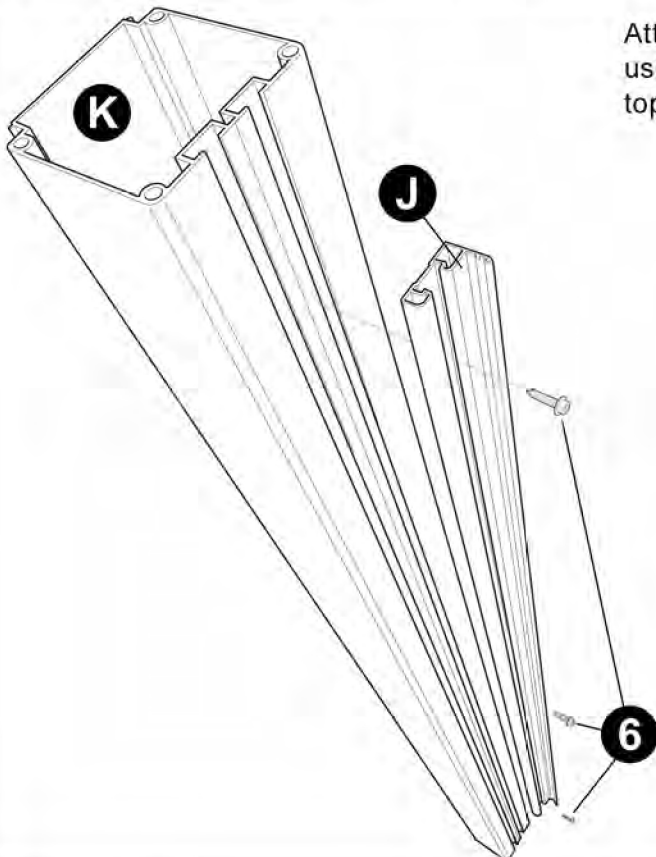
Fit machine screw [3] which will secure the lock hub.

Finally, mount both handles [parts 16 and 17] onto the upright using the long machine screws [parts 4]



**STEP SIXTEEN - installing the gate stopper**

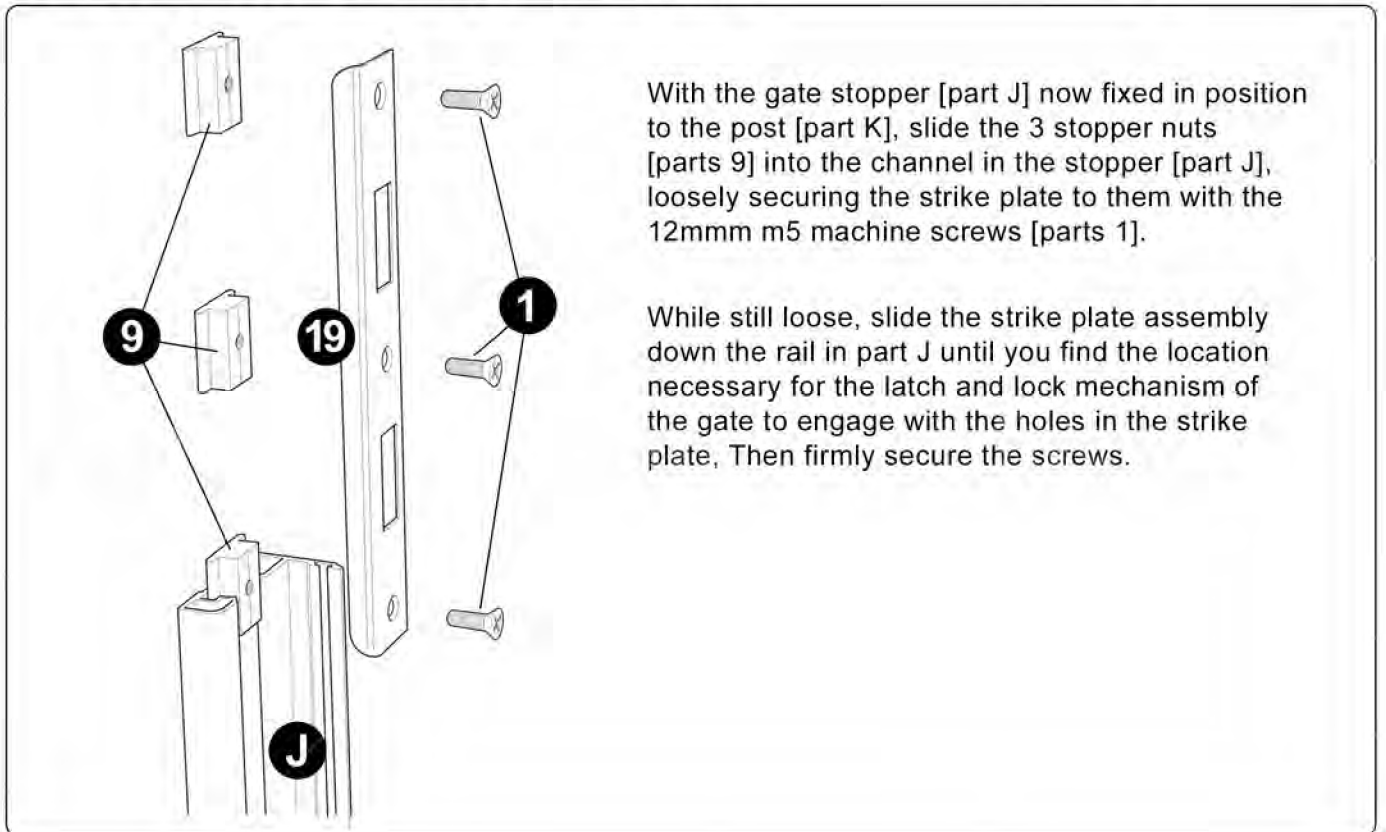
Attach the gate stopper [part J] to the post [part K] using the 3 self-tapping m5 hex-bolt screws [parts 6] top, middle and bottom of its length.



Make certain that the gate-stopping edge is positioned on the correct side for the swing of your gate.



## STEP SEVENTEEN - fitting the strike plate



With the gate stopper [part J] now fixed in position to the post [part K], slide the 3 stopper nuts [parts 9] into the channel in the stopper [part J], loosely securing the strike plate to them with the 12mm m5 machine screws [parts 1].

While still loose, slide the strike plate assembly down the rail in part J until you find the location necessary for the latch and lock mechanism of the gate to engage with the holes in the strike plate. Then firmly secure the screws.



## CUSTOM GATE SIZING - how to trim the gate

When cutting the gate to a custom width, the following steps should be taken;

- determine the size of the gate opening between posts, and allow a combined clearance (1 3/4" should be adequate) for the hinge and for the gate stopper on the handle/lock side).
- cut the horizontal frame pieces [parts C] to the required length.
- then cut all panels [parts E] and the panel inlay [part F] 1/16" (1.6mm) less than you cut [parts C].

**please note:** this is to allow for the wall thickness of [parts D] at either end.

