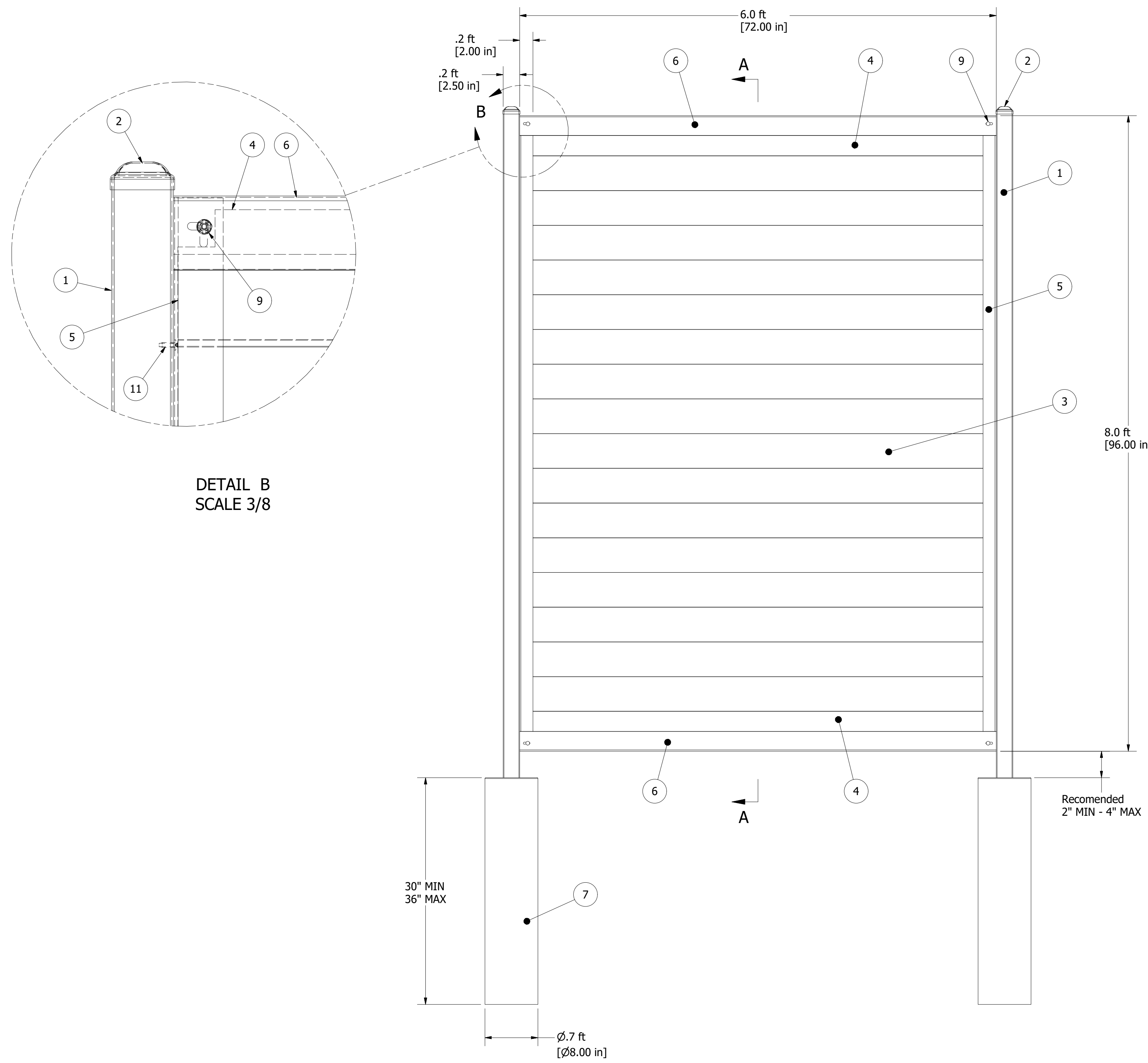
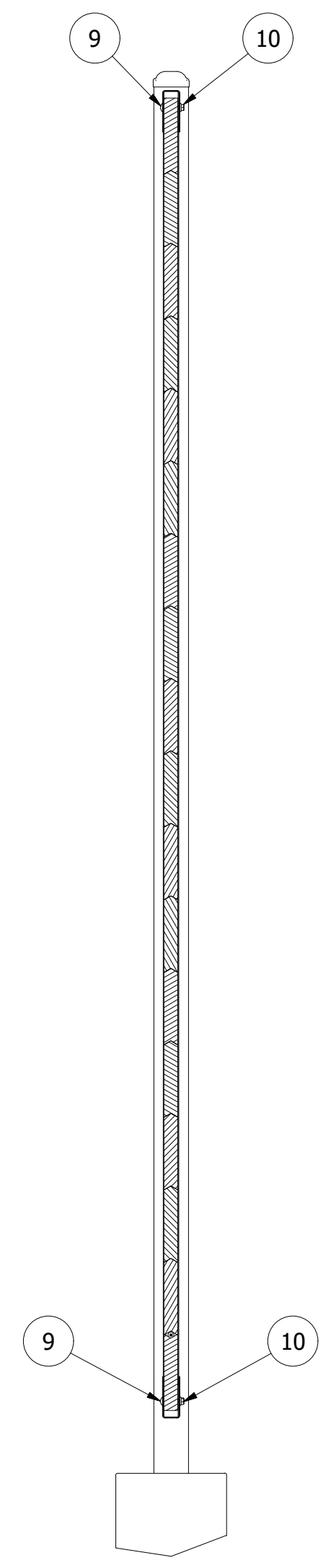
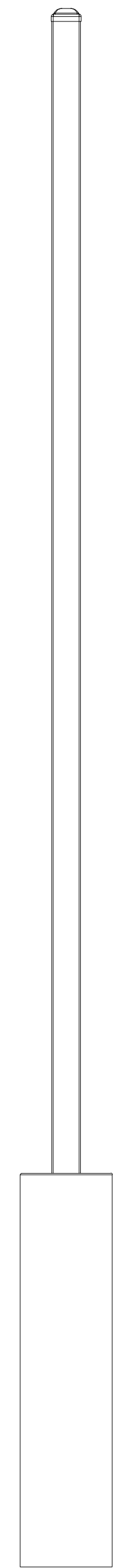


8 7 6 5 4 3 2 1



FRONT VIEW SCALE 1:10



SECTION A-A SCALE 1:10

PARTS LIST			
ITEM	QTY	PART NUMBER	DESCRIPTION
1	2	2.5" x 2.5" x 11' - 12ga Post	Optional 3" x 3" x 11' Long 12ga post and caps for commercial use.
2	2	2.5" x 2.5" Post Cap	3" x 3" Caps to be used for optional 3" x 3" commercial post.
3	16	1" x 6" x 6' Boards	Quantity may vary depending on the type of boards or infill chosen.
4	2	1" x 6" x 6' Boards - Notched	2 Boards or infill to be notched for bolt clearance at the top and bottom.
5	2	2" x 8' Fence Rail	
6	2	3" x 6' Fence Rail	
7	2	Concrete Pillars - 8in Diameter	
8	1	Hardware Kit Items Listed Below	
9	4	ANSI B18.5 - 1/4-20 UNC - 1.5	Round Head Square Neck Bolt
10	4	IFI 100/107 - 1/4 - 20	Prevailing Torque Type Hex Flange Nut
11	16	ANSI B18.6.4 - No. 10 - 16 - 5/8	Cross Recessed Truss Head Tapping Screw - Type BT - Type I

DRAWN Eddie	10/23/2019		
CHECKED			
QA		TITLE Horizontal-8X6-Panel	
MFG			
APPROVED			
SCALE 1:10		DWG NO Horizontal-8X6-Panel	REV
		SHEET 1 OF 1	

8 7 6 5 4 3 2 1