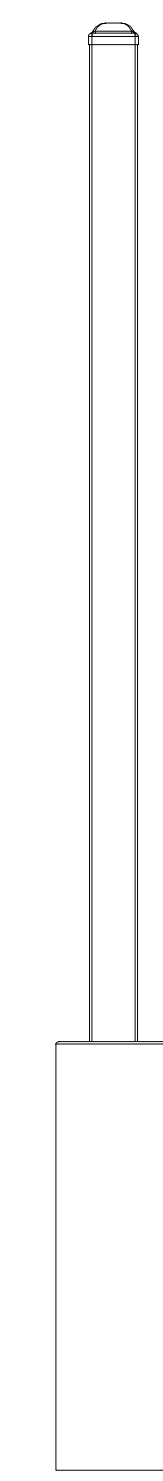
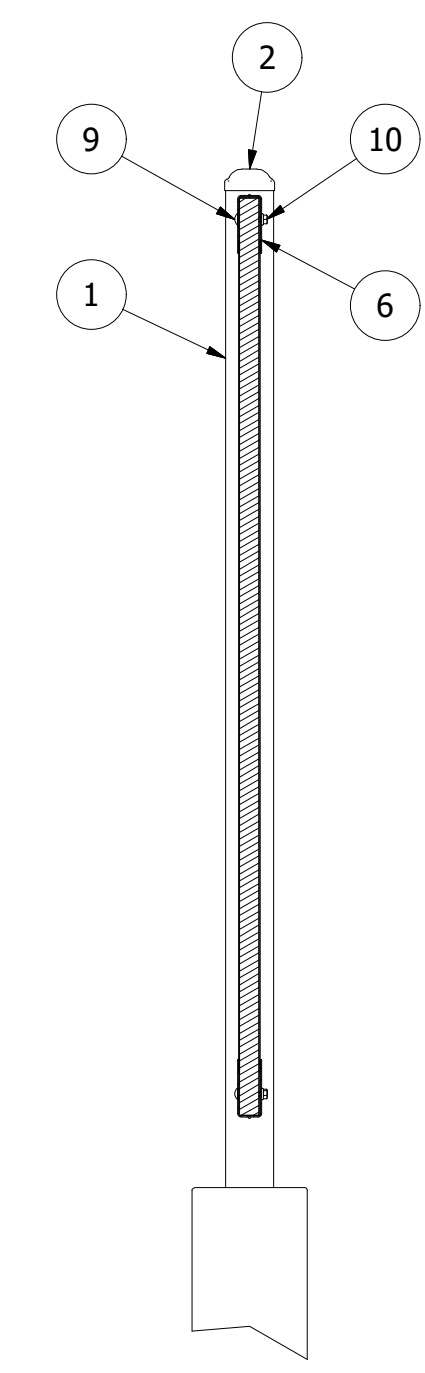


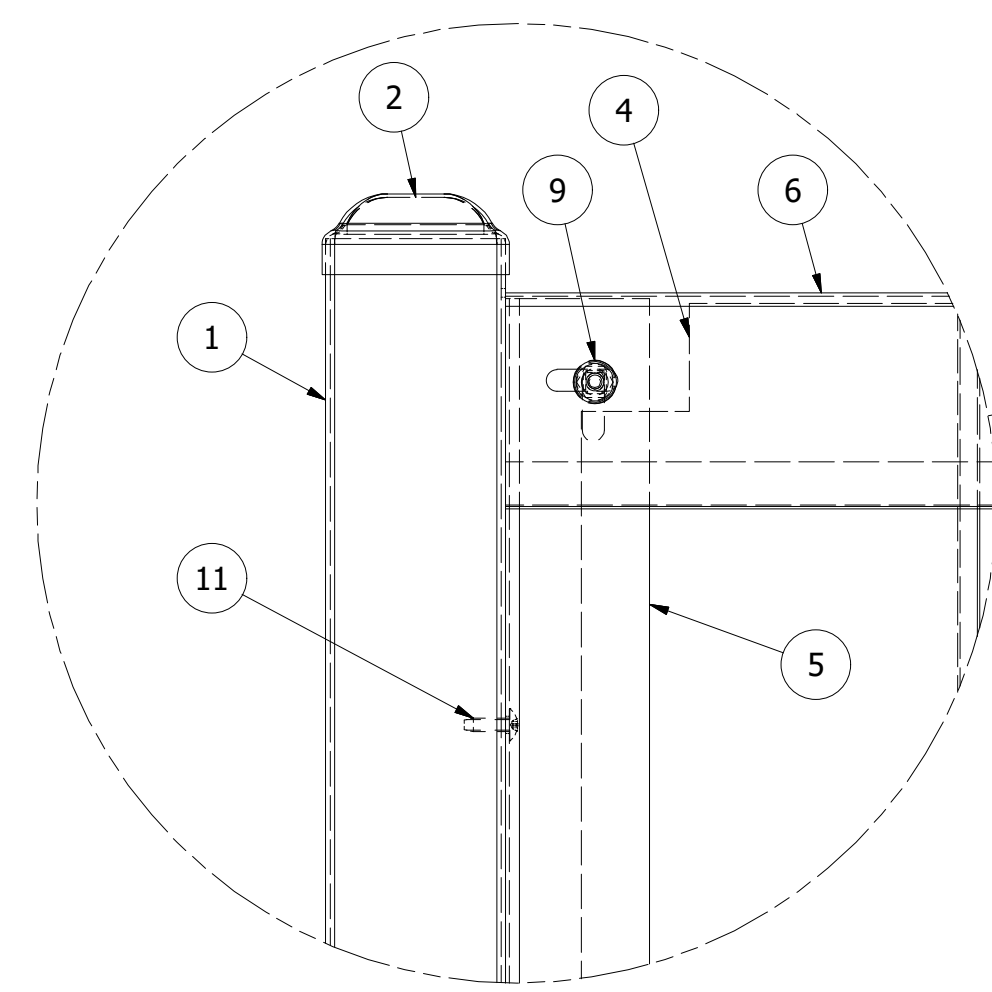
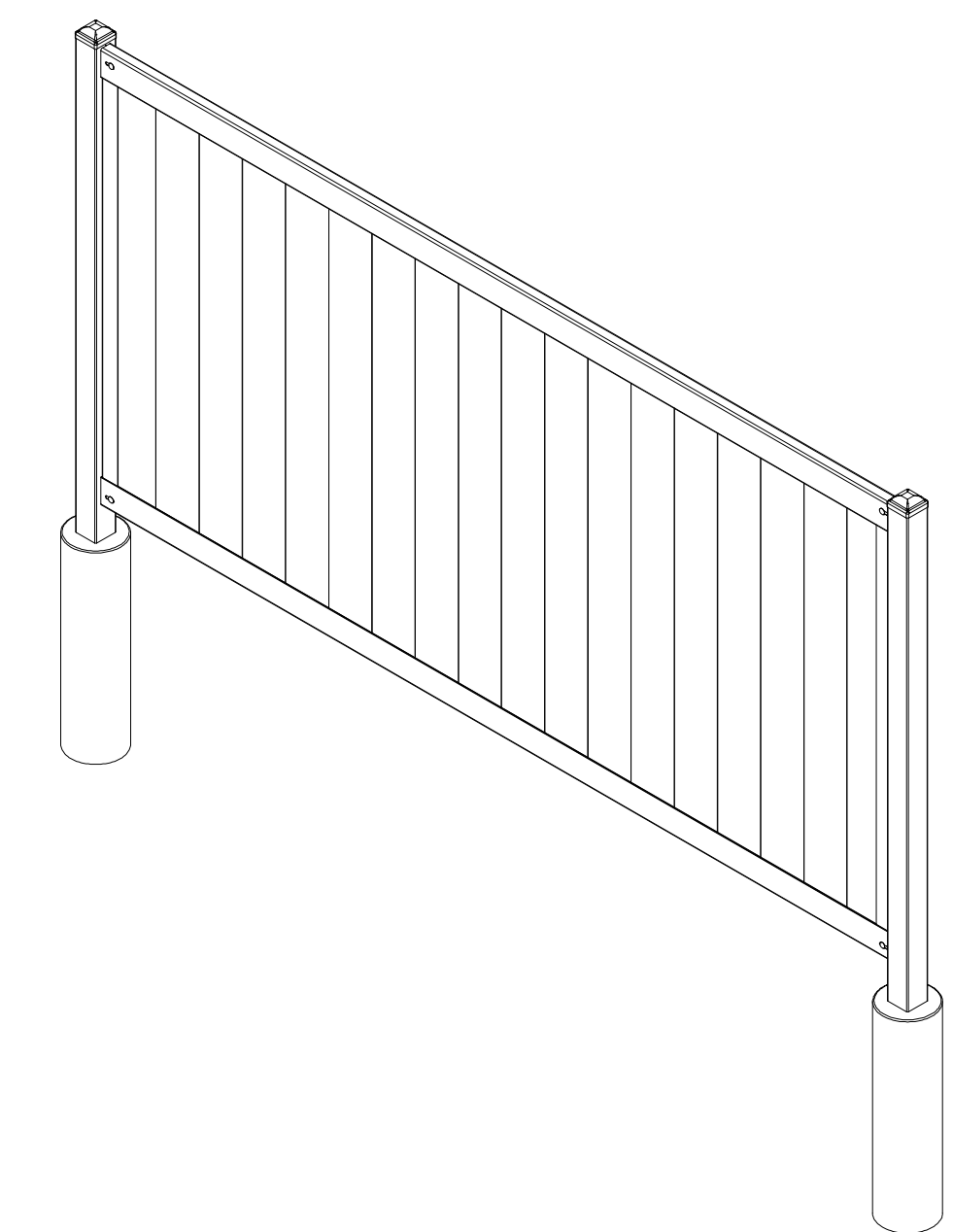
FRONT VIEW  
SCALE 1:10



RIGHT VIEW  
SCALE 1:10




SECTION A-A  
SCALE 1:10



DETAIL B  
SCALE 3/8

PARTS LIST			
ITEM	QTY	PART NUMBER	DESCRIPTION
1	2	2.5in x 2.5in x 7ft 16ga Post	
2	2	2.5in x 2.5in Post Cap	
3	16	1in x 6in x 4ft Boards	Quantity may vary depending on the type of boards or infill chosen.
4	2	1in x 6in x 4ft Boards Notched	2 Boards or infill to be notched for bolt clearance at the left and right ends.
5	2	2in x 4ft Fence Rail	
6	2	3in x 8ft Fence Rail	
7	2	Concrete Pillar 6in Diameter	
8	1	Hardware Kit Items Listed Below	
9	4	ANSI B18.5 - 1/4-20 UNC - 1.5	Round Head Square Neck Bolt
10	4	IFI 100/107 - 1/4 - 20	Prevailing Torque Type Hex Flange Nut
11	8	ANSI B18.6.4 - No. 10 - 16 - 5/8	Cross Recessed Truss Head Tapping Screw - Type BT - Type I

DRAWN Eddie	10/23/2019		
CHECKED			
QA		TITLE Vertical-4X8-Panel	
MFG			
APPROVED			
		SIZE D	DWG NO Vertical-4X8-Panel
		SCALE 1:10	REV
			SHEET 1 OF 1