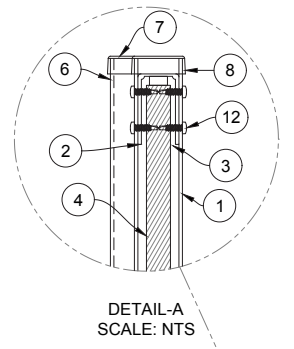
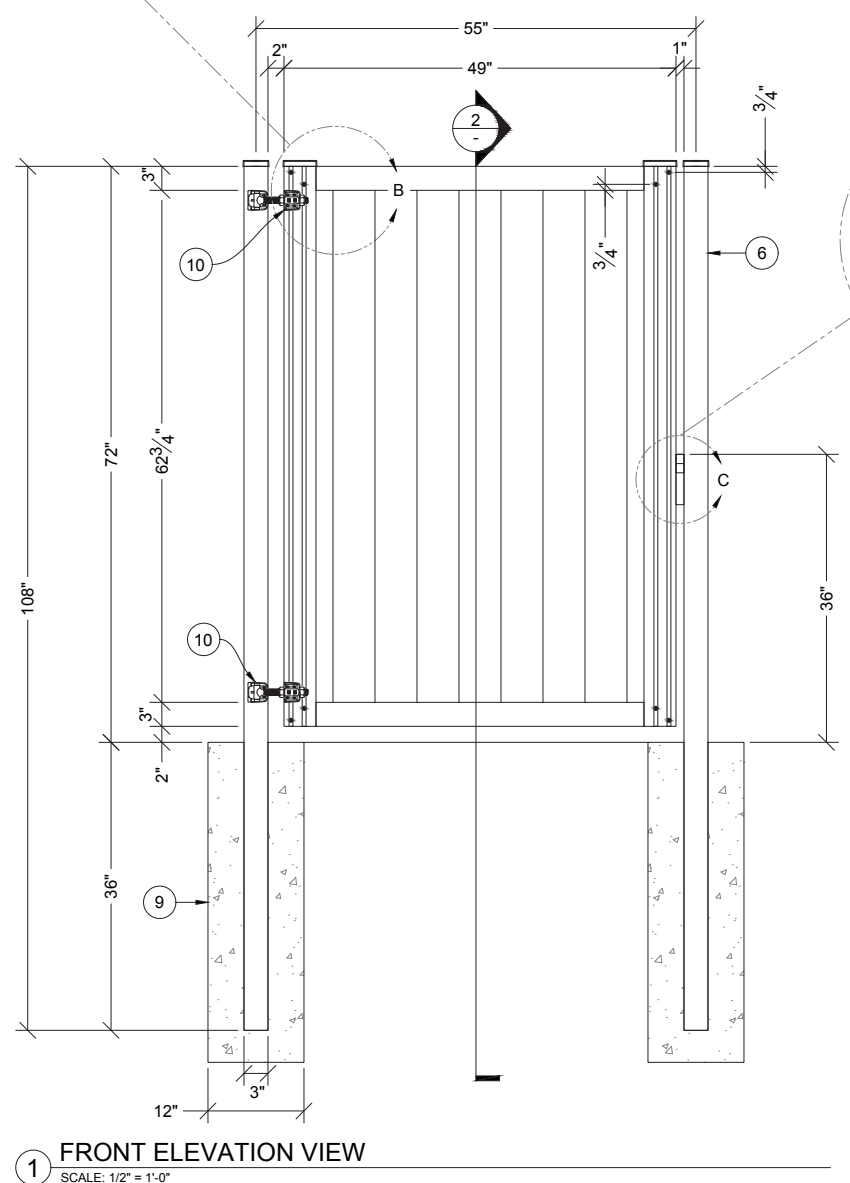


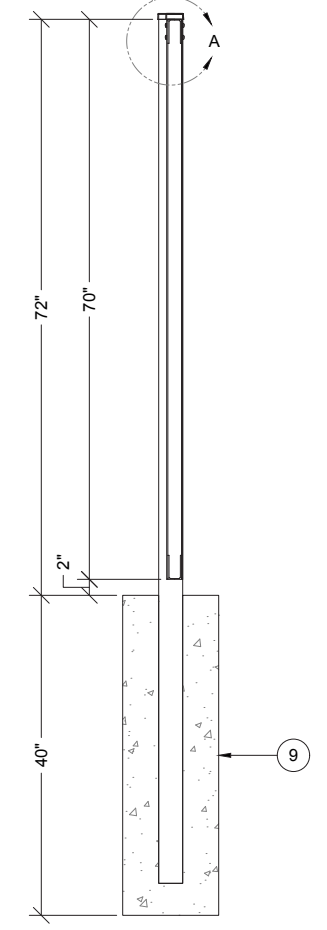
**3 PLAN VIEW**  
SCALE: 1/2" = 1'-0"



**DETAIL-A**  
SCALE: NTS



**1 FRONT ELEVATION VIEW**  
SCALE: 1/2" = 1'-0"



**2 SECTION**  
SCALE: 1/2" = 1'-0"

**BILL OF MATERIALS**

ITEM	QTY	PART NUMBER	DESCRIPTION
1	2	3" X 1-3/4" X 1/8", 4'-1" CHANNEL	HORIZONTAL (TOP/BTM) GATE RAIL ALUMINUM CHANNEL
2	2	4" X 2" X 1/8", 6'-0" CHANNEL	VERTICAL GATE FRAME ALUMINUM CHANNEL
3	N/A	CHANNELS ALLOW FOR UP TO 1" THK INFILL MATERIAL	QUANTITY MAY VARY DEPENDING ON INFILL TYPE SELECTED
4	11	1" X 6" X 6'-0" BOARDS	INFILL EXAMPLE ILLUSTRATED: BOARDS
5	2	1" X 6" X 6'-0" NOTCHED INFILL/BOARDS	TWO BOARDS TO BE NOTCHED FOR BOLT CLEARANCE AT TOP AND BTM CHANNEL
6	2	3" X 3" X 14GA, 9'-0" POST	GATE POST
7	2	3" X 3" CAP	GATE POST CAP
8	2	4" X 2" CAP	VERTICAL GATE FRAME CAP
9	2	12" DIAMETER CONCRETE PIER	GATE POST PIER SIZE AND DEPTH TO BE SPECIFIED BY PROJECT EOR
10	2	SS COM DUTY EMBASSY HINGES [KSS-HDEMBCHS]	GATE FRAME HINGES FOR 180° SWING (ADJUSTABLE HINGE GAP 1/2"- 2 3/4")
11	1	SS DUAL LOCKABLE ECONOMY LATCH [KSS-DUAL]	LARGE SS DUAL ECONOMY GATE LATCH WITH 1/2" BAR
12	16	ANSI B18.6.4 - No.12 X 1" SELF-TAPPING SCREW	STAINLESS STEEL SELF-TAPPING SCREW

**DIMENSIONS ARE IN INCHES**  
UNLESS OTHERWISE SPECIFIED:  
TOLERANCES:  
FRACTIONAL ±1/32"  
ANGULAR: MACH±1/2° BEND ±1/2°  
TWO PLACE DECIMAL ±.03  
THREE PLACE DECIMAL ±.005

**PROPRIETARY AND CONFIDENTIAL**  
THE INFORMATION CONTAINED IN THIS DRAWING IS THE SOLE PROPERTY OF FENCE TRAC. ANY REPRODUCTION IN PART OR AS A WHOLE WITHOUT THE WRITTEN PERMISSION OFFENCE TRAC IS PROHIBITED.

NAME	DATE
DRAWN NLI	05/02/2022
REVISED	
MFG APPR	
MATERIAL: STEEL / ALUMINUM	

MANUFACTURED BY: FENCETRAC  
DISTRIBUTED BY:

TITLE:  
LH PEDESTRIAN SWING GATE 48 X 72

SIZE	DWG. NO.	REV
<b>B</b>	<b>22-0502-001</b>	<b>A</b>

SCALE: SEE DRAWING SHEET 1 OF 1