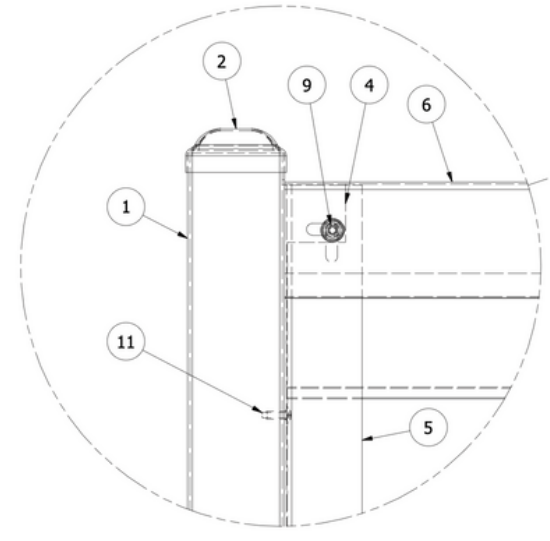
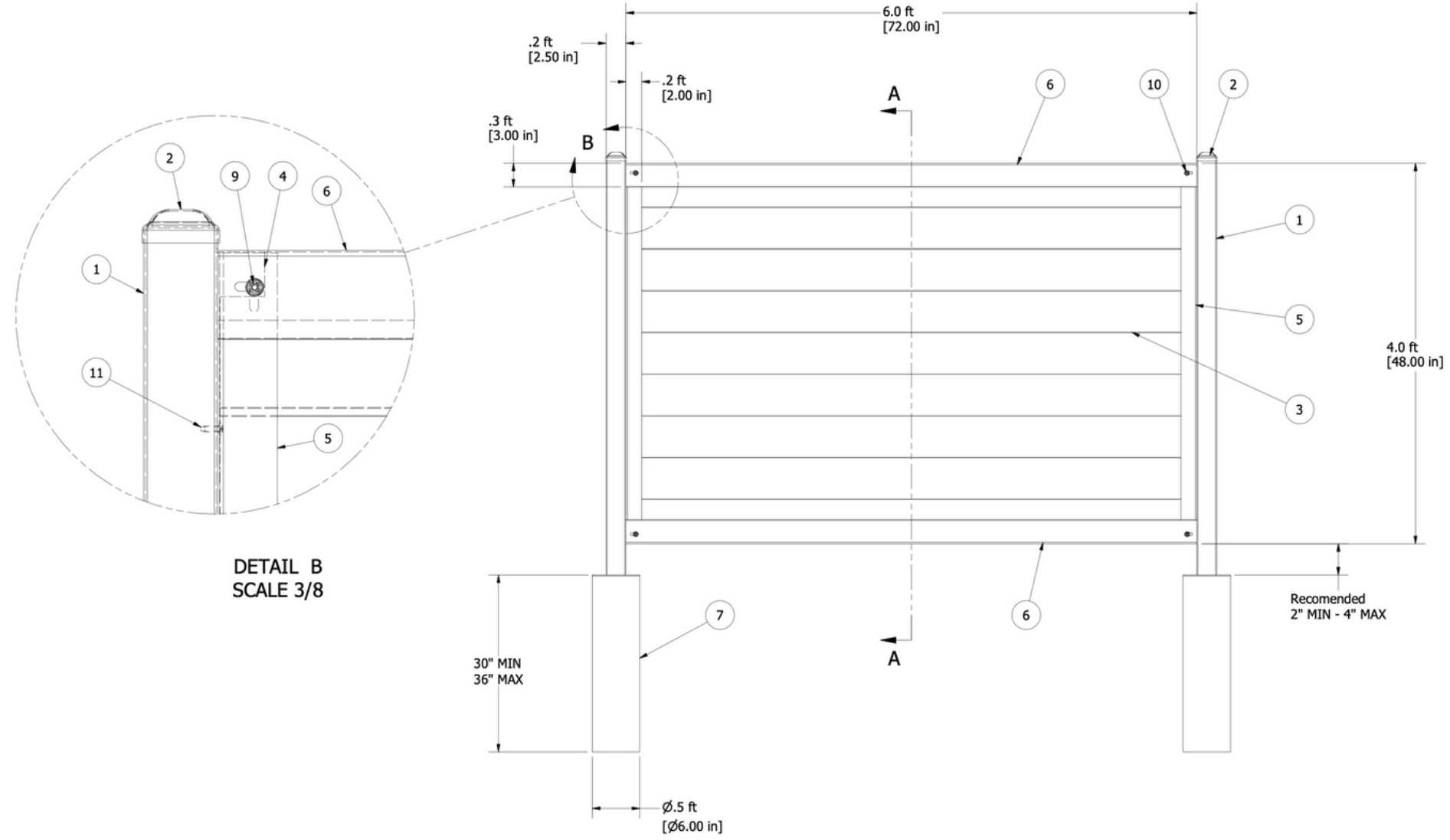
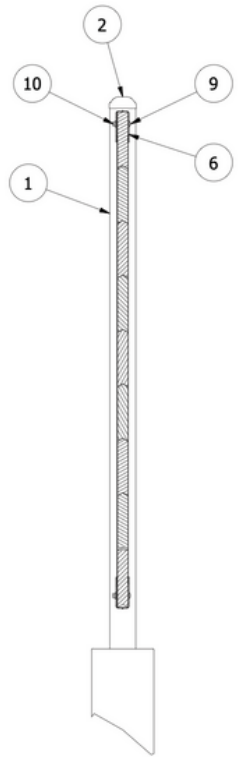


8 7 6 5 4 3 2 1

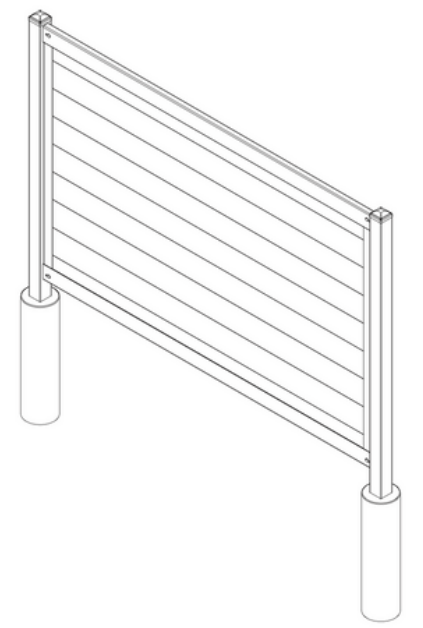
D
C
B



DETAIL B
SCALE 3/8



SECTION A-A
SCALE 1 / 10



PARTS LIST			
ITEM	QTY	PART NUMBER	DESCRIPTION
1	2	2.5in x 2.5in x 7ft 16ga Post	
2	2	2.5in x 2.5in Post Cap	
3	7	1in x 6in x 6ft Boards	Quantity may vary depending on the type of boards or infill chosen.
4	2	1in x 6in x 6ft Boards Notched	2 Boards or infill to be notched for bolt clearance at the top and bottom.
5	2	2in x 4ft Fence Rail	
6	2	3in x 6ft Fence Rail	
7	2	Concrete Pillar 6in Diameter	
8	1	Hardware Kit Items Listed Below	
9	4	ANSI B18.5 - 1/4-20 UNC - 1.5	Round Head Square Neck Bolt
10	4	IFI 100/107 - 1/4 - 20	Prevailing Torque Type Hex Flange Nut
11	8	ANSI B18.6.4 - No. 10 - 16 - 5/8	Cross Recessed Truss Head Tapping Screw - Type BT - Type I

DRAWN	Eddie	10/23/2019
CHECKED		
QA		
MFG		
APPROVED		

MANUFACTURED BY: **FENCE TRAC**
 DISTRIBUTED BY: **PERIMTEC**

TITLE: **Horizontal 4x6 Panel Assembly**

SIZE: **D** DWG NO: **Horizontal-4x6-panel** REV:

SCALE: **1 / 10** SHEET **1** OF **1**

8 7 6 5 4 3 2 1