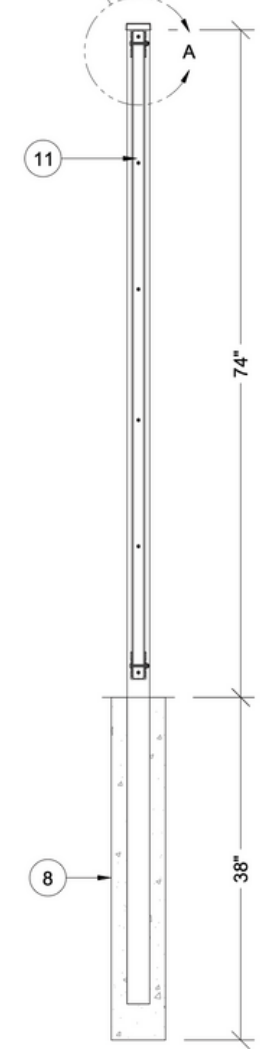
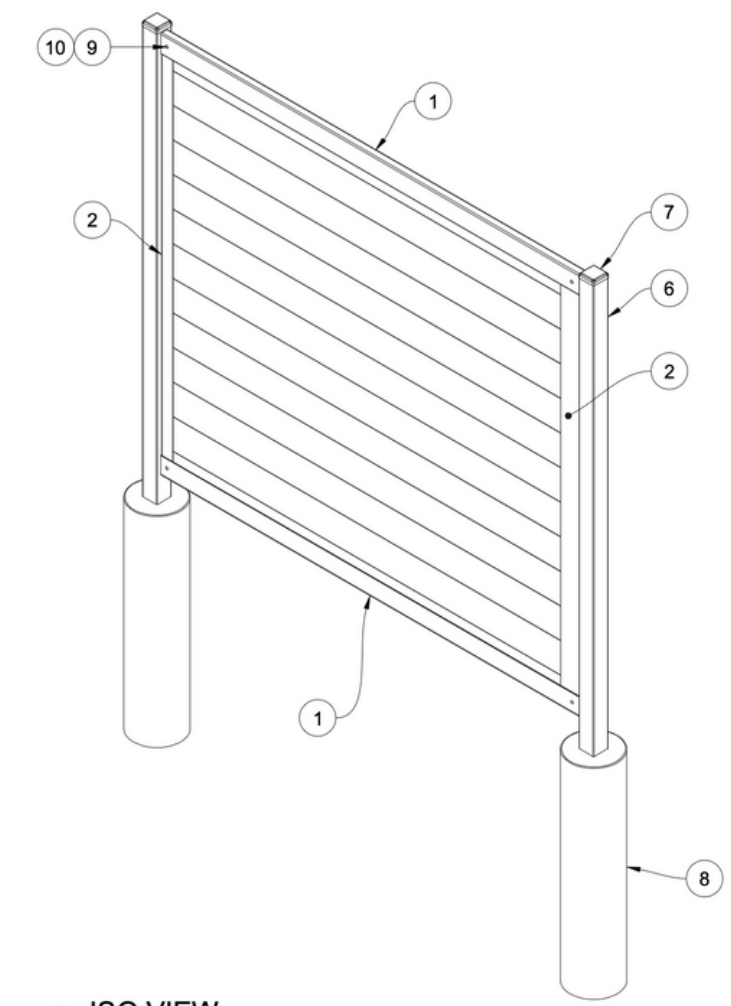


1 FRONT VIEW
SCALE: 1/2" = 1'-0"



2 SECTION
SCALE: 1/2" = 1'-0"



3 ISO VIEW
SCALE: 1/2" = 1'-0"

DIMENSIONS ARE IN INCHES
UNLESS OTHERWISE SPECIFIED:
TOLERANCES:
FRACTIONAL ±1/32"
ANGULAR: MACH ±1/2° BEND ±1/2°
TWO PLACE DECIMAL ±.03
THREE PLACE DECIMAL ±.005

PROPRIETARY AND CONFIDENTIAL
THE INFORMATION CONTAINED IN THIS DRAWING IS THE SOLE PROPERTY OF FENCE TRAC. ANY REPRODUCTION IN PART OR AS A WHOLE WITHOUT THE WRITTEN PERMISSION OFFENCE TRAC IS PROHIBITED.

| | NAME | DATE |
|----------|------|------------|
| DRAWN | NLI | 05/30/2022 |
| REVISED | | |
| MFG APPR | | |

MATERIAL: GALVANIZED STEEL

MANUFACTURED BY: **FENCE TRAC**
DISTRIBUTED BY:



TITLE:
HORIZONTAL 6'X6' PANEL

| | | |
|----------|--------------------|----------|
| SIZE | DWG. NO. | REV |
| B | 22-0530-002 | A |

SCALE: SEE DRAWING SHEET 1 OF 1

| BILL OF MATERIALS | | | |
|-------------------|-----|---|--|
| ITEM | QTY | PART NUMBER | DESCRIPTION |
| 1 | 2 | 3" X 6'-0" CHANNEL | HORIZONTAL (TOP/BTM) GALVANIZED STEEL CHANNEL RAIL |
| 2 | 2 | 2" X 6'-0" CHANNEL | VERTICAL GALVANIZED STEEL CHANNEL RAIL |
| 3 | N/A | CHANNELS ALLOW FOR UP TO 1" THK INFILL MATERIAL | INFILL QUANTITY MAY VARY DEPENDING ON TYPE SELECTED |
| 4 | 11 | 1" X 6" X 6'-0" BOARDS | INFILL EXAMPLE ILLUSTRATED: HORIZONTAL BOARDS |
| 5 | 2 | 1" X 6" X 6'-0" NOTCHED INFILL/BOARDS | TWO BOARDS TO BE NOTCHED FOR BOLT CLEARANCE AT TOP AND BTM CHANNEL |
| 6 | 2 | 2-1/2" X 2-1/2" X 16GA, 9'-0" POST | STANDARD FENCE POST |
| 7 | 2 | 2-1/2" X 2-1/2" CAP | 2-1/2" SQ POST CAP STANDARD |
| 8 | 2 | 6" DIAMETER CONCRETE PIER | POST PIER SIZE AND DEPTH TO BE SPECIFIED BY THE PROJECT'S EOR |
| 9 | 4 | ANSI B18.5 - 1/4-20 X 1-1/2" UNC CARRIAGE BOLT | ROUND HEAD SQUARE NECK CARRIAGE BOLT |
| 10 | 4 | IFI 100/107 1/4-20 HEX-HEAD FLANGE NUT | PREVAILING TORQUE TYPE HEX-HEAD FLANGE NUT |
| 11 | 12 | ANSI B18.6.4 - NO.10 X 5/8" SELF-TAPPING SCREW | VERTICAL CHANNEL, RECESSED HEAD SELF-TAPPING SCREW_TYPE-BT_TYPE-I |

| ABBREVIATIONS | |
|---------------|---------------------------------------|
| ANSI | AMERICAN NATIONAL STANDARDS INSTITUTE |
| CC | CENTER TO CENTER |
| EOR | ENGINEER OF RECORD |
| GA | GAUGE |
| H | HEIGHT |
| IFI | INDUSTRIAL FASTENER INSTITUTE |
| L | LENGTH |
| MAX | MAXIMUM |
| MIN | MINIMUM |
| NTS | NOT TO SCALE / DO NOT SCALE |
| SQ | SQUARE |
| THK | THICK / THICKNESS |
| TYP | TYPICAL |
| UNC | UNIFIED COURSE THREAD |
| W | WIDTH |