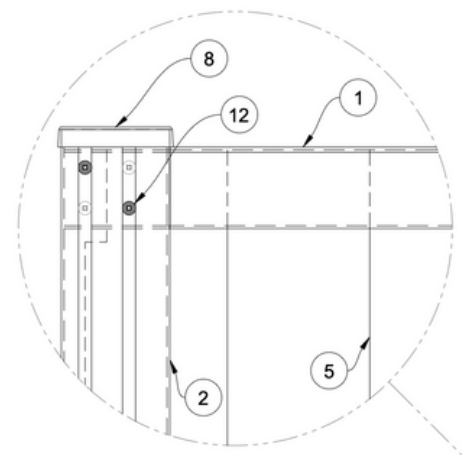
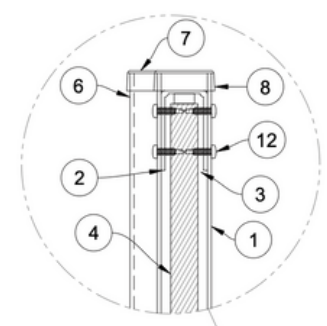


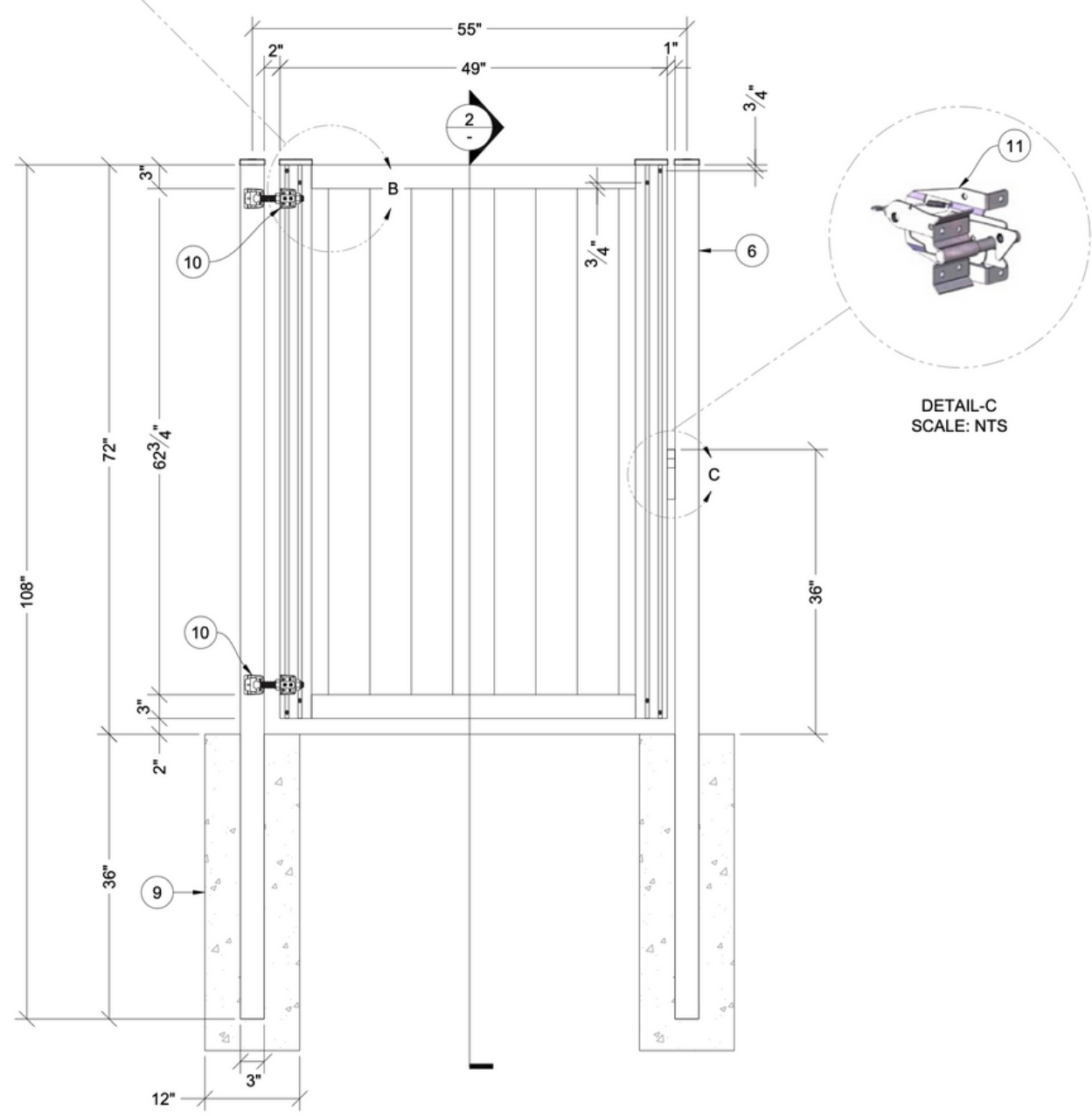
3 PLAN VIEW
SCALE: 1/2" = 1'-0"



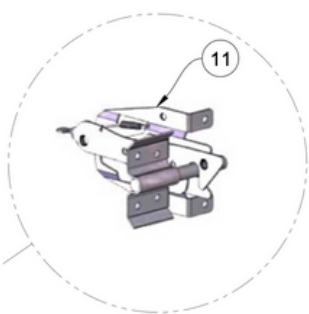
DETAIL-B
SCALE: NTS



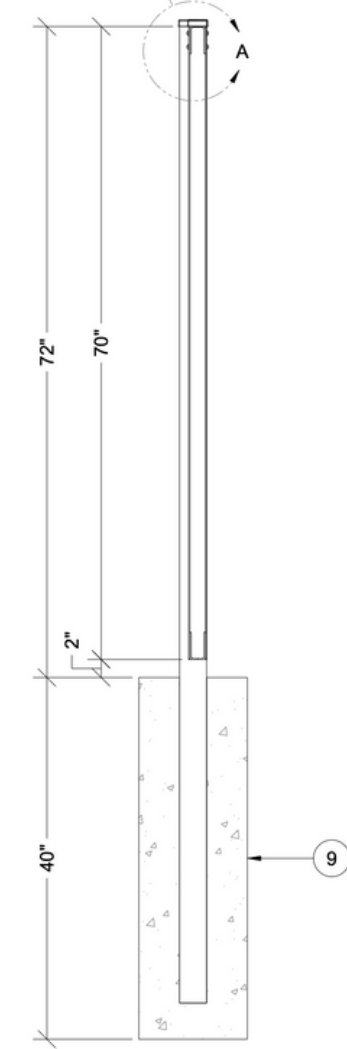
DETAIL-A
SCALE: NTS



1 FRONT ELEVATION VIEW
SCALE: 1/2" = 1'-0"



DETAIL-C
SCALE: NTS



2 SECTION
SCALE: 1/2" = 1'-0"

BILL OF MATERIALS

ITEM	QTY	PART NUMBER	DESCRIPTION
1	2	3" X 1-3/4" X 1/8", 4'-1" CHANNEL	HORIZONTAL (TOP/BTM) GATE RAIL ALUMINUM CHANNEL
2	2	4" X 2" X 1/8", 6'-0" CHANNEL	VERTICAL GATE FRAME ALUMINUM CHANNEL
3	N/A	CHANNELS ALLOW FOR UP TO 1" THK INFILL MATERIAL	QUANTITY MAY VARY DEPENDING ON INFILL TYPE SELECTED
4	11	1" X 6" X 6'-0" BOARDS	INFILL EXAMPLE ILLUSTRATED: BOARDS
5	2	1" X 6" X 6'-0" NOTCHED INFILL/BOARDS	TWO BOARDS TO BE NOTCHED FOR BOLT CLEARANCE AT TOP AND BTM CHANNEL
6	2	3" X 3" X 14GA, 9'-0" POST	GATE POST
7	2	3" X 3" CAP	GATE POST CAP
8	2	4" X 2" CAP	VERTICAL GATE FRAME CAP
9	2	12" DIAMETER CONCRETE PIER	GATE POST PIER SIZE AND DEPTH TO BE SPECIFIED BY PROJECT EOR
10	2	SS COM DUTY EMBASSY HINGES [KSS-HDEMBCHS]	GATE FRAME HINGES FOR 180° SWING (ADJUSTABLE HINGE GAP 1/2" - 2 3/4")
11	1	SS DUAL LOCKABLE ECONOMY LATCH [KSS-DUAL]	LARGE SS DUAL ECONOMY GATE LATCH WITH 1/2" BAR
12	16	ANSI B18.6.4 - No.12 X 1" SELF-TAPPING SCREW	STAINLESS STEEL SELF-TAPPING SCREW

DIMENSIONS ARE IN INCHES
UNLESS OTHERWISE SPECIFIED:
TOLERANCES:
FRACTIONAL ±1/32"
ANGULAR: MACH ±1/2° BEND ±1/2°
TWO PLACE DECIMAL ±.03
THREE PLACE DECIMAL ±.005

PROPRIETARY AND CONFIDENTIAL
THE INFORMATION CONTAINED IN THIS DRAWING IS THE SOLE PROPERTY OF FENCE TRAC. ANY REPRODUCTION IN PART OR AS A WHOLE WITHOUT THE WRITTEN PERMISSION OFFENCE TRAC IS PROHIBITED.

	NAME	DATE
DRAWN	NLI	05/02/2022
REVISED		
MFG APPR		

MATERIAL: STEEL / ALUMINUM

MANUFACTURED BY: **FENCE TRAC**
DISTRIBUTED BY:
PERIMTEC

TITLE:
LH PEDESTRIAN SWING GATE 48 X 72

SIZE	DWG. NO.	REV
B	22-0502-001	A

SCALE: SEE DRAWING SHEET 1 OF 1